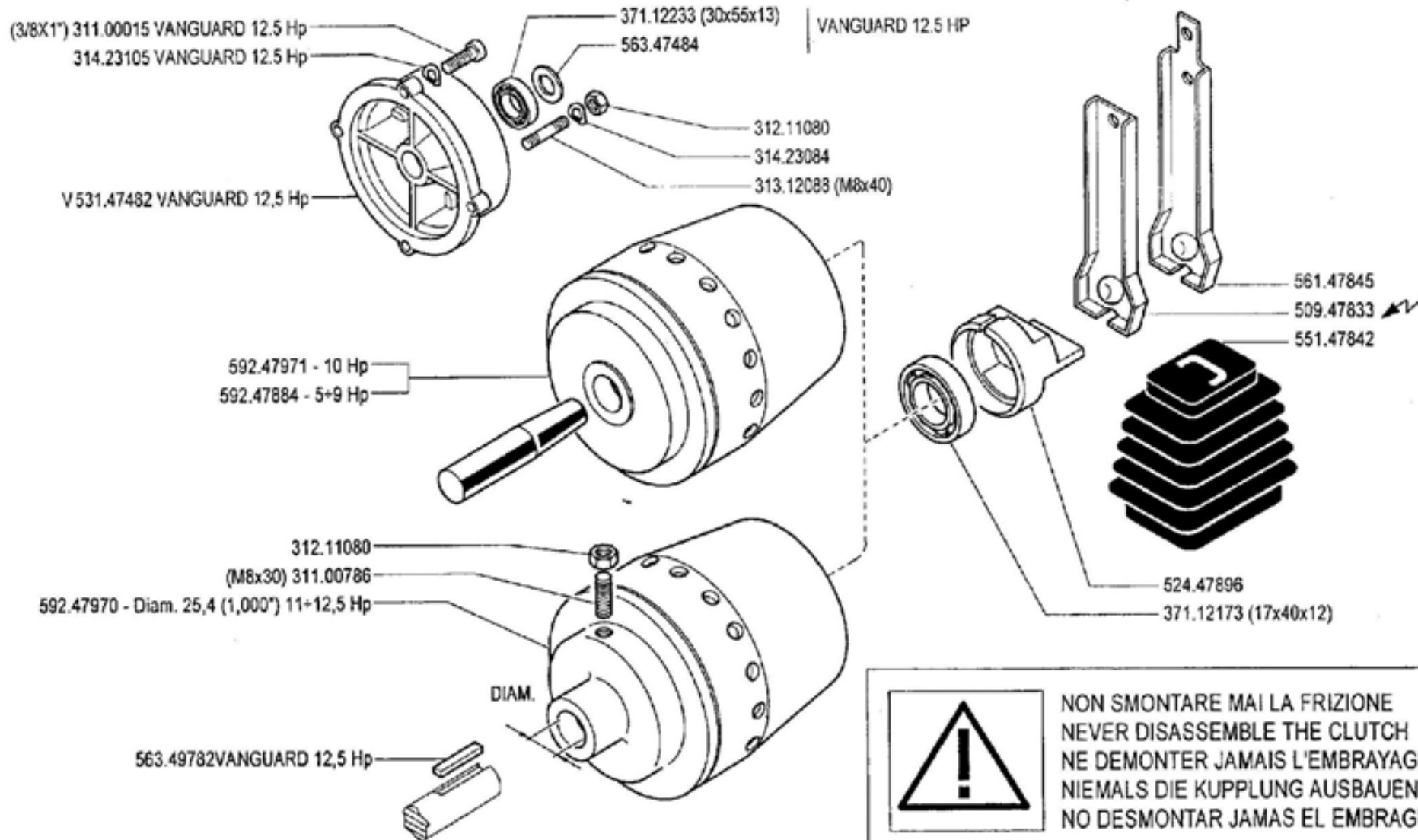



# Inhoudsopgave

Drijfwerk Huis '02 .....	29
Index .....	53
Koppeling '02 .....	9
PTO & Tandwielen .....	31
Schakelpoken .....	49
Stickers '03 .....	25
Stuur & kabels '02 .....	45
Stuurboom .....	39
Wielas & Flenzen .....	11
Wielen .....	13

<b>Code</b>	<b>Description</b>	<b>Notes</b>
002_0_12722	SELF-VENTILATING CONE CLUTCH	
002_1_12741	SELF-VENTILATING CONE CLUTCH	
002_2_12761	SELF-VENTILATING CONE CLUTCH	
002_3_12779	SELF-VENTILATING CONE CLUTCH	
005_2_13039	WHEEL AXLE	
011_3_13744	WHEELS	
012_0_13785	STICKERS	
012_1_13807	STICKERS	
012_2_13824	STICKERS	
013_0_13845	STICKERS	
013_1_13860	STICKERS	
03A_1_13913	GEARBOX (510-515-515L-515S)	
03A_2_13945	GEARBOX (510-515-515L-515S)	
04B_0_14068	GEARS (515L-515S)	
04B_1_14105	GEARS (515L-515S)	
07A_0_14343	STEERING COLUMN (515-515L-515S)	
08A_0_14359	HANDLEBAR (515-515L-515S)	
08A_1_14405	HANDLEBAR (515-515L-515S)	
09A_0_14579	CONTROLS (515-515L-515S)	




 NON SMONTARE MAI LA FRIZIONE  
 NEVER DISASSEMBLE THE CLUTCH  
 NE DEMONTER JAMAIS L'EMBRAYAGE  
 NIEMALS DIE KUPPLUNG AUSBAUEN  
 NO DESMONTAR JAMAS EL EMBRAGUE

V = verde - vert - green - grün

**FERRARI**

**500** serie **95**

FRIZIONE A CONO AUTOVENTILANTE

EMBRAGUE  
EMBRAYAGE

CLUTCH  
KUPPLUNG

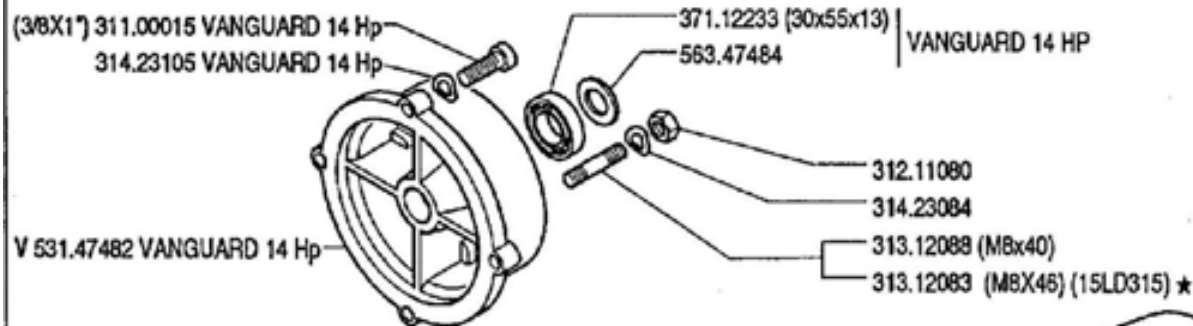
DALLA MACCHINA  
DE LA MAQUINA  
DE LA MACHINE  
FROM THE MACHINE  
AB DER MASCHINE

N.

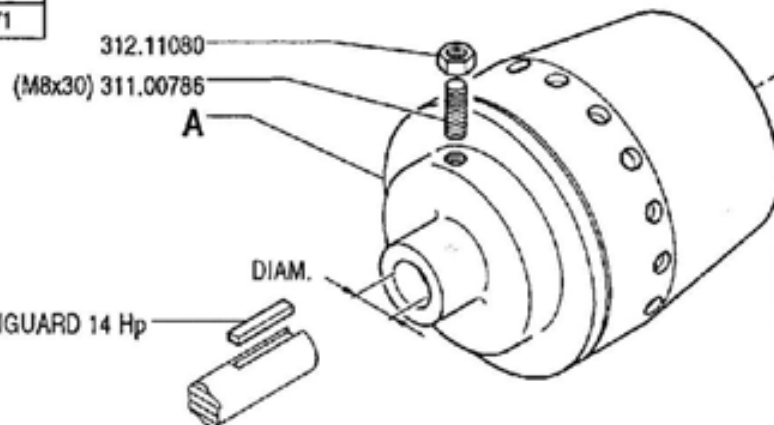
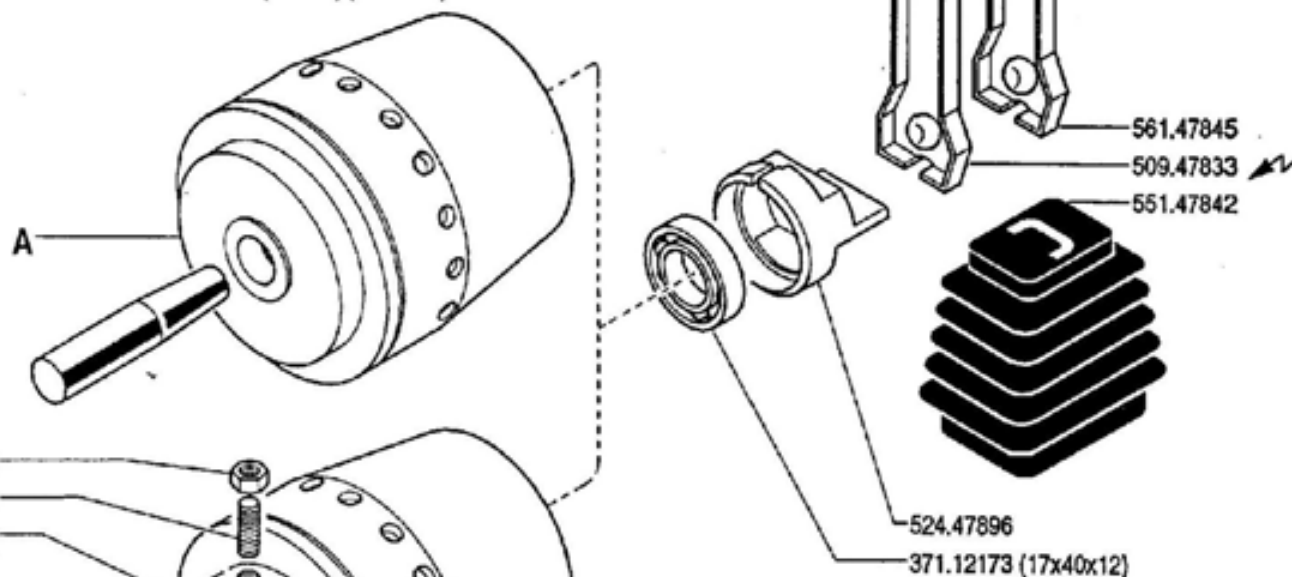
**02.00**

01.06.1995

Pos.	Code	Q.ty	Description	Notes
31100015	31100015	0	SCREW TE 3/8X1	
31100786	31100786	0	SCREW STEI M8X30 UNI5923 8G	
31211080	31211080	0	NUT M8	
31312088	31312088	0	STUD BOLT M8X40X14X14	
31423084	31423084	0	SPRING WASHER 8,4	
31423105	31423105	0	SPRING WASHER 10,5	
37112173	37112173	0	BEARING	
37112233	37112233	0	BEARING	
50947833	50947833	0	CLUTCH LEVER	
52447896	52447896	0	PRESSURE PLATE	
53147482	53147482	0	ENGINE FLANGE	
55147842	55147842	0	BELLOWS	
56147845	56147845	0	CLUTCH LEVER	
56347484	56347484	0	SHIM	
56349782	56349782	0	DOWEL	
59247884	59247884	0	CLUTCH ASSY	
59247970	59247970	0	CLUTCH	
59247971	59247971	0	CLUTCH	



MOTORE ENGINE MOTEUR MOTOR MOTOR	A	FRIZIONE EMBRAGUE EMBRAYAGE KUPPLUNG CLUTCH
Acme A220		592.47884
Acme ALN 330W		592.47884
Acme AT 330W		592.47971
Intermotor IM 359		592.47884
Briggs & Stratton Vanguard 14 Hp		592.47970
Lombardini 15 LD 315		592.47884
Lombardini 6 LD 435/400		592.47971



NON SMONTARE MAI LA FRIZIONE  
NEVER DISASSEMBLE THE CLUTCH  
NE DEMONTER JAMAIS L'EMBRAYAGE  
NIEMALS DIE KUPPLUNG AUSBAUEN  
NO DESMONTAR JAMAS EL EMBRAGUE

V = verde - vert - green - grün

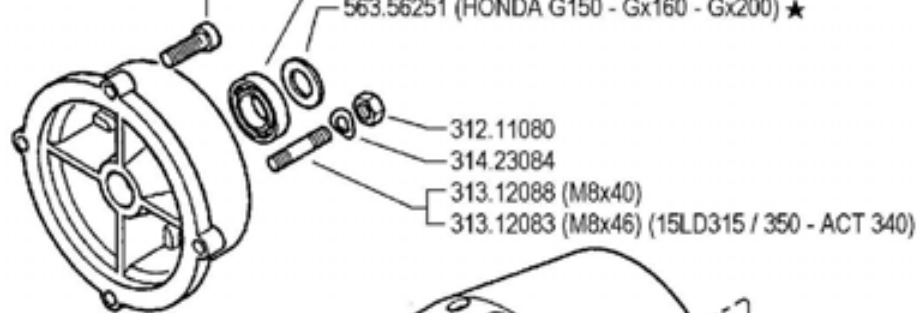
<b>FERRARI</b>	<b>500</b> serie <b>95</b>	<b>FRIZIONE A CONO AUTOVENTILANTE</b>		DALLA MACCHINA DE LA MACQUINA DE LA MACHINE FROM THE MACHINE AB DER MASCHINE	AGGIORNAMENTO	<b>02.01</b>
		EMBRAGUE	CLUTCH		REVISION	
		EMBRAYAGE	KUPPLUNG	★ N.	MISE A JOUR	
					APLAZAMIENTO	<b>02.09.1996</b>
					ANPASSUNG	

Pos.	Code	Q.ty	Description	Notes
31100015	31100015	0	SCREW TE 3/8X1	
31100786	31100786	0	SCREW STEI M8X30 UNI5923 8G	
31211080	31211080	0	NUT M8	
31312083	31312083	0	STUD BOLT M8X46X16X16	
31312088	31312088	0	STUD BOLT M8X40X14X14	
31423084	31423084	0	SPRING WASHER 8,4	
31423105	31423105	0	SPRING WASHER 10,5	
37112173	37112173	0	BEARING	
37112233	37112233	0	BEARING	
50947833	50947833	0	CLUTCH LEVER	
52447896	52447896	0	PRESSURE PLATE	
53147482	53147482	0	ENGINE FLANGE	
55147842	55147842	0	BELLOWS	
56147845	56147845	0	CLUTCH LEVER	
56347484	56347484	0	SHIM	
56349782	56349782	0	DOWEL	
59247884	59247884	0	CLUTCH ASSY	
59247970	59247970	0	CLUTCH	
59247971	59247971	0	CLUTCH	

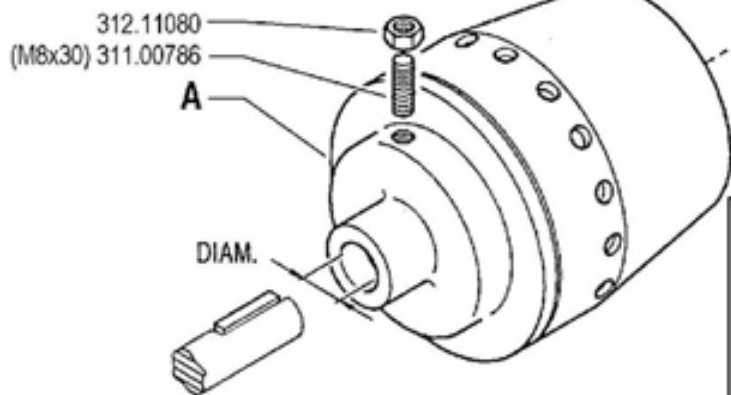
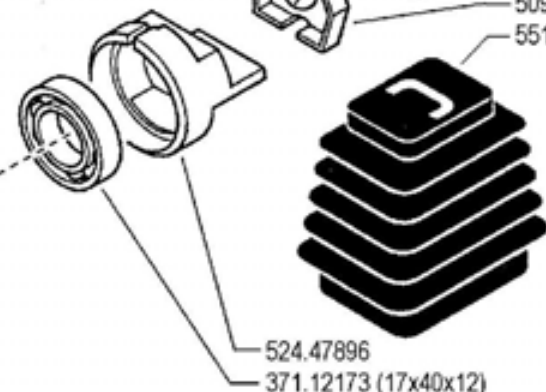
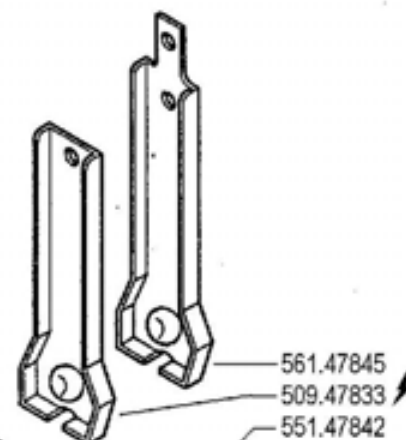
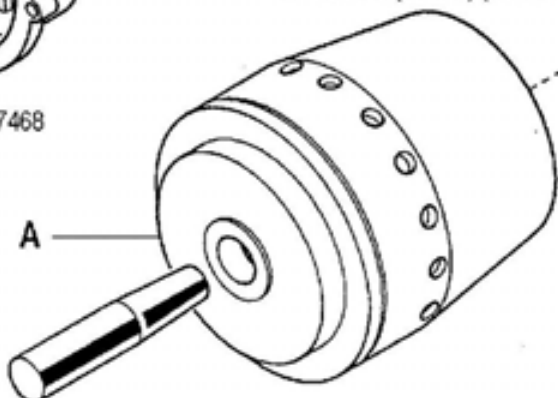
★ (HONDA G150 - Gx160 - Gx200) 311.00003

371.12231 (HONDA G150 - Gx160 - Gx200) ★


563.56251 (HONDA G150 - Gx160 - Gx200) ★



★ (HONDA G150 - Gx160 - Gx200) V 532.47468



MOTORE ENGINE MOTEUR MOTOR	A	FRIZIONE EMBRAGE EMBRAYAGE KUPPLUNG CLUTCH
Acme A 220		592.47884
Acme ALN 330W - ACT 280 ★		592.47884
Acme AT 330W - ACT 340 ★		592.47971
Honda G150 - Gx160 - Gx200 ★		592.56252
Intermotor IM 359		592.47884
Lombardini 15 LD 315 / 350		592.47884
Yanmar L100 AE ★		592.47971

 **NON SMONTARE MAI LA FRIZIONE  
NEVER DISASSEMBLE THE CLUTCH  
NE DEMONTER JAMAIS L'EMBRAYAGE  
NIEMALS DIE KUPPLUNG AUSBAUEN  
NO DESMONTAR JAMAS EL EMBRAGUE**

V = verde - green - vert - grün

	500 serie 95	<b>FRIZIONE A CONO AUTOVENTILANTE</b>		DALLA MACCHINA DE LA MAGINA DE LA MACHINE FROM THE MACHINE AB DER MASCHINE	AGGIORNAMENTO	<b>02</b>	02
		CLUTCH	EMBRAYAGE		REVISION		
		EMBRAGUE	KUPPLUNG		MISE A JOUR		
					APLAZAMENTO		
					ANPASSUNG		
				★N.	<b>1/2000</b>		

ZB/NB

Pos.	Code	Q.ty	Description	Notes
31100003	31100003	0	SCREW TE 5/16X7/8	
31100786	31100786	0	SCREW STEI M8X30 UNI5923 8G	
31211080	31211080	0	NUT M8	
31312083	31312083	0	STUD BOLT M8X46X16X16	
31312088	31312088	0	STUD BOLT M8X40X14X14	
31423084	31423084	0	SPRING WASHER 8,4	
37112173	37112173	0	BEARING	
37112231	37112231	0	BEARING	
50947833	50947833	0	CLUTCH LEVER	
52447896	52447896	0	PRESSURE PLATE	
53247468	53247468	0	FLANGE	
55147842	55147842	0	BELLOWS	
56147845	56147845	0	CLUTCH LEVER	
56356251	56356251	0	SHIM D=19,6	
59247884	59247884	0	CLUTCH ASSY	
59247971	59247971	0	CLUTCH	
59256252	59256252	0	CLUTCH ASSY	



HONDA G150 - Gx 120/160/200 311.00003  
 HONDA Gx 340 ★ 311.00015

HONDA Gx 340 ★ 314.23105

371.12231 HONDA G150 - Gx 120/160/200  
 371.12233 (30x55x13) - HONDA Gx 340 ★

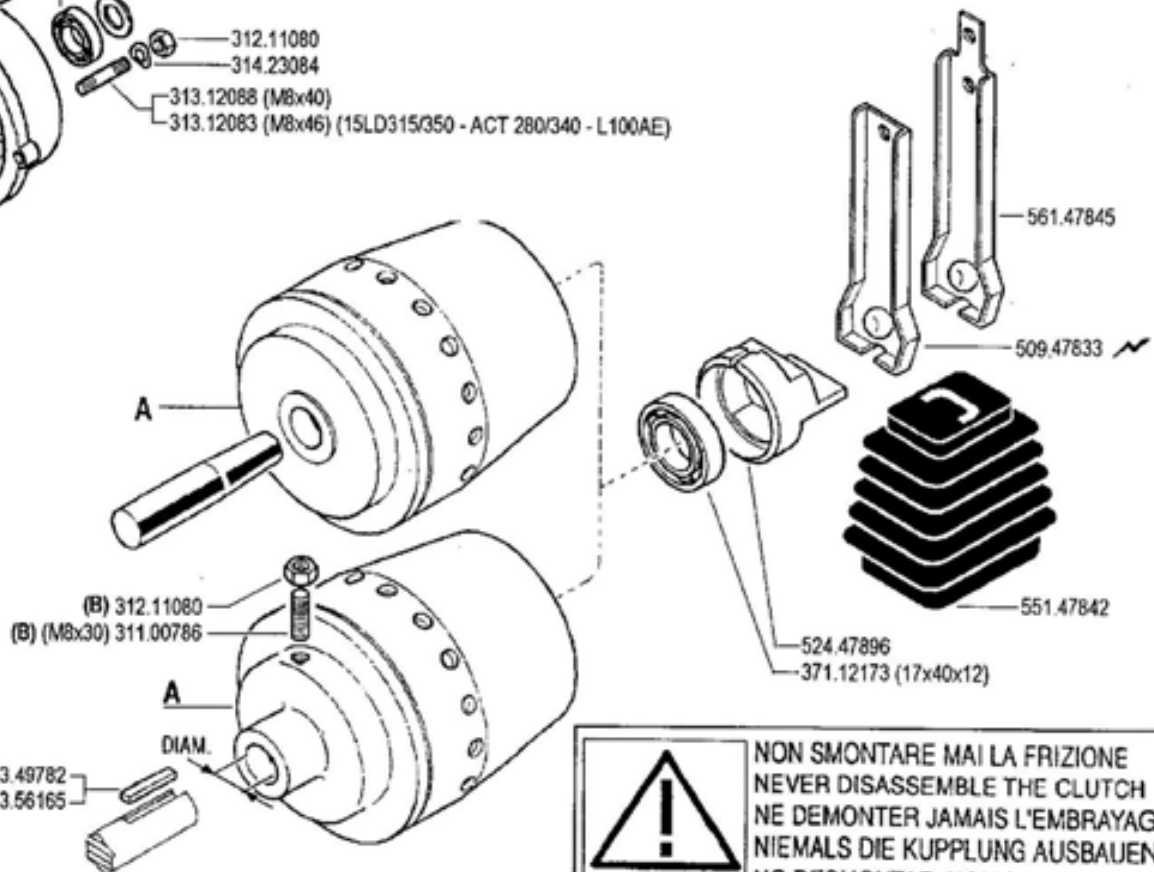
563.47484 - HONDA Gx 340 ★  
 563.56251 HONDA G150 - Gx 120/160/200

312.11080  
 314.23084

313.12088 (M8x40)  
 313.12083 (M8x46) (15LD315/350 - ACT 280/340 - L100AE)

HONDA G150 - Gx 120/160/200 (2) ★ 532.47488  
 HONDA Gx 340 ★ 531.56150

MOTORE ENGINE MOTEUR MOTOR	A FRIZIONE EMBRAYAGE KUPPLUNG CLUTCH
Acme A220	592.47884
Acme ACT 280 - A349 ★ - A360 ★	592.47884
Acme ACT 340	592.47871
Honda Gx 340 ★	592.56257
Honda G150 - Gx 120 / 160 / 200	592.56265 ★ (1)
Intermotor IM 359	592.47884
Lombardini 15LD315 / 350	592.47884
Yanmar L100AE	592.47971



(HONDA Gx 340 ★) 563.49782  
 (HONDA G150 - Gx120/160/200) ★ 563.56165

(2) sostituisce **V532.47468**  
 (1) sostituisce **592.56252**

**! NON SMONTARE MAI LA FRIZIONE  
 NEVER DISASSEMBLE THE CLUTCH  
 NE DEMONTER JAMAIS L'EMBRAYAGE  
 NIEMALS DIE KUPPLUNG AUSBAUEN  
 NO DESMONTAR JAMAS EL EMBRAGUE**

(B) serrare a 2 kgm

**FERRARI**

**500 serie 95**

**FRIZIONE A CONO AUTOVENTILANTE**

CLUTCH  
 EMBRAGUE

EMBRAYAGE  
 KUPPLUNG

DALLA MACCHINA  
 DE LA MAQUINA  
 DE LA MACHINE  
 FROM THE MACHINE  
 AB DER MASCHINE

(1) 4194 (515)  
 (1) 166207 (520)

**02**

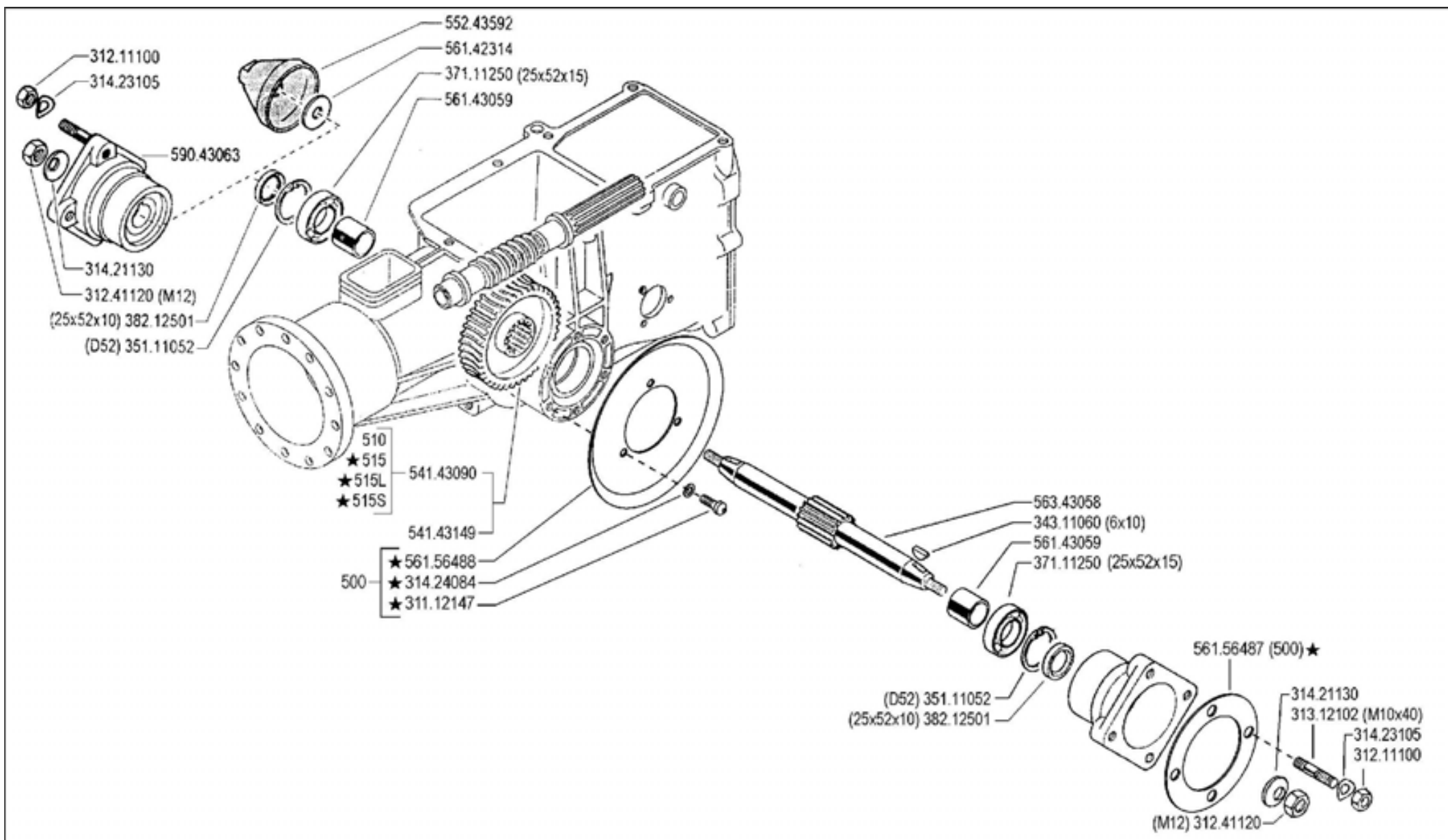
Rev. **3**

**12/2002**

303NE

★N.

Pos.	Code	Q.ty	Description	Notes
31100003	31100003	0	SCREW TE 5/16X7/8	
31100015	31100015	0	SCREW TE 3/8X1	
31100786	31100786	0	SCREW STEI M8X30 UNI5923 8G	
31211080	31211080	0	NUT M8	
31312083	31312083	0	STUD BOLT M8X46X16X16	
31312088	31312088	0	STUD BOLT M8X40X14X14	
31423084	31423084	0	SPRING WASHER 8,4	
31423105	31423105	0	SPRING WASHER 10,5	
37112173	37112173	0	BEARING	
37112231	37112231	0	BEARING	
37112233	37112233	0	BEARING	
50947833	50947833	0	CLUTCH LEVER	
52447896	52447896	0	PRESSURE PLATE	
53156150	53156150	0	ENGINE FLANGE	
53247488	53247488	0	ENGINE FLANGE	
55147842	55147842	0	BELLOWS	
56147845	56147845	0	CLUTCH LEVER	
56347484	56347484	0	SHIM	
56349782	56349782	0	DOWEL	
56356165	56356165	0	DOWEL	
56356251	56356251	0	SHIM D=19,6	
59247884	59247884	0	CLUTCH ASSY	
59247971	59247971	0	CLUTCH	
59256257	59256257	0	CLUTCH ASSY	
59256265	59256265	0	CLUTCH ASSY	



**FERRARI**

**500** serie **95**

**ASSE RUOTE (500 - 510 - 515 - 515L - 515S - 520)**

WHEELS AXLE  
EJE RUEDAS

ESSIEU ROUES  
RADACHSE

DALLA MACCHINA  
DE LA MAGINA  
DE LA MACHINE  
FROM THE MACHINE  
AB DER MASCHINE

AGGIORNAMENTO  
REVISION  
MISE A JOUR  
APLAZAMIENTO  
ANPASSUNG

★N.

**05**

Rev.  
**02**

**1/2000**

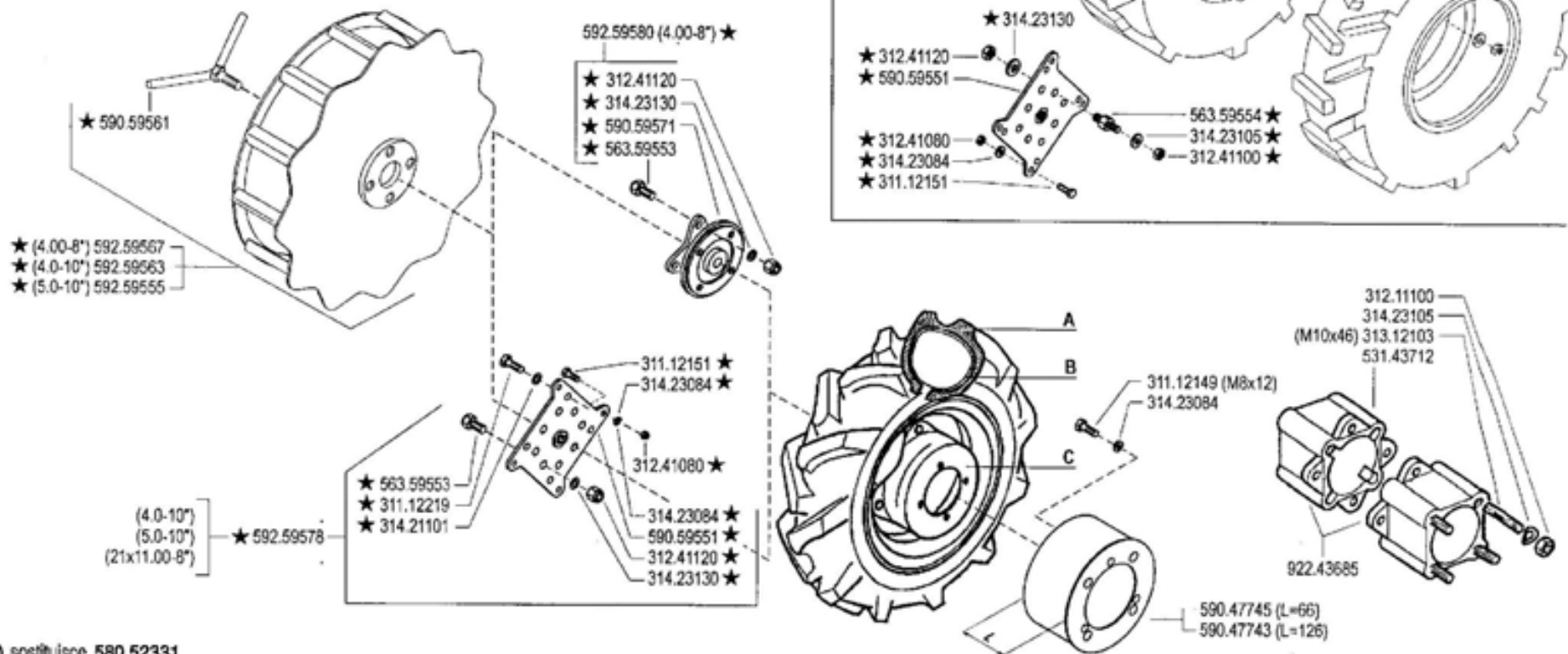
28/95

Pos.	Code	Q.ty	Description	Notes
31112147	31112147	0	SCREW TE M8X18 UNI 5739 8G	
31211100	31211100	0	NUT M10	
31241120	31241120	0	SELFLOCK NUT M12	
31312102	31312102	0	STUD BOLT M10X40X24X12	
31421130	31421130	0	WASHER	
31423105	31423105	0	SPRING WASHER 10,5	
31424084	31424084	0	SPRING WASHER 8,4	
34311060	34311060	0	KEY 6X10 UNI 6606	
35111052	35111052	0	SEEGER RING I 52 DIN 472	
37111250	37111250	0	BEARING	
38212501	38212501	0	OIL SEAL 25X52X10	
54143090	54143090	0	CROWN WHEEL	
54143149	54143149	0	CROWN WHEEL	
55243592	55243592	0	CAP	
56142314	56142314	0	WASHER 12,5x34/4	
56143059	56143059	0	SPACER	
56156487	56156487	0	SPACER	
56156488	56156488	0	GUARD	
56343058	56343058	0	AXLE SHAFT	
59043063	59043063	0	WHEEL HUB	

	A	B	C
3.50 - 8" (500)	391.13502	394.13502	580.52325
3.50 - 8"	391.13502	394.13502	580.52326
4.00 - 8"	391.14008	394.14008	580.52326
4.0 - 10"	391.14010	394.14010	580.52327
5.0 - 10"	391.15010	394.15010	580.52327
21 x 11.00 - 8"	391.13501	TUBELESS	580.52274 ★ (1)

★ 924.57794

KIT GEMELLAGGIO PER 4.0-10" / 5.0-10"  
 TWINNING KIT FOR 4.0-10" / 5.0-10"  
 JUMELAGE KIT POUR 4.0-10" / 5.0-10"  
 KIT GEMELOS POR 4.0-10" / 5.0-10"  
 ZWILLINGSKIT 4.0-10" / 5.0-10"



(1) sostituisce 580.52331

**FERRARI**

500 serie 95

WHEELS  
RUEDAS

RUOTE

ROUES  
RÄDER

DALLA MACCHINA  
DE LA MAQUINA  
DE LA MACHINE  
FROM THE MACHINE  
AB DER MASCHINE

AGGIORNAMENTO  
REVISION  
MISE A JOUR  
APLAZAMIENTO  
ANPASSUNG

11

Rev.  
3

12/2003

★ N.

71/06

Pos.	Code	Q.ty	Description	Notes
31112149	31112149	0	SCREW TE M8X12 UNI 5739 8G	
31112151	31112151	0	SCREW TE M8X25 UNI 5739 8G	
31112219	31112219	0	SCREW TE M10X25 UNI 5739	
31211100	31211100	0	NUT M10	
31241080	31241080	0	SELFLOCK NUT M8	
31241100	31241100	0	SELFLOCK NUT M10 6S	
31241120	31241120	0	SELFLOCK NUT M12	
31312103	31312103	0	STUD BOLT M10X46X24X16	
31421101	31421101	0	WASHER	
31423084	31423084	0	SPRING WASHER 8,4	
31423105	31423105	0	SPRING WASHER 10,5	
31423130	31423130	0	SPRING WASHER 13	
39113501	39113501	0	TYRE 21X11.00-8	
39113502	39113502	0	TYRE 3.50-8 2PR	
39114008	39114008	0	TYRE 4.00-8 2PR	
39114010	39114010	0	TYRE 4.0-10 2PR	
39115010	39115010	0	TYRE 5.00-10 2PR	
39413502	39413502	0	INNER TUBE	
39414008	39414008	0	INNER TUBE	
39414010	39414010	0	INNER TUBE	
39415010	39415010	0	INNER TUBE	
53143712	53143712	0	SPACER	
56359553	56359553	0	PIN	
56359554	56359554	0	PIN	
58052274	58052274	0	RIM	
58052325	58052325	0	RIM	
58052326	58052326	0	RIM	
58052327	58052327	0	RIM	
59047743	59047743	0	HUBCOVER	
59047745	59047745	0	HUBCOVER	
59059551	59059551	0	FLANGE	
59059561	59059561	0	SCREW	
59059571	59059571	0	FLANGE	
59259555	59259555	0	SUPER-BITE WHEEL X 5.00-10	

SERIAL

## WHEELS

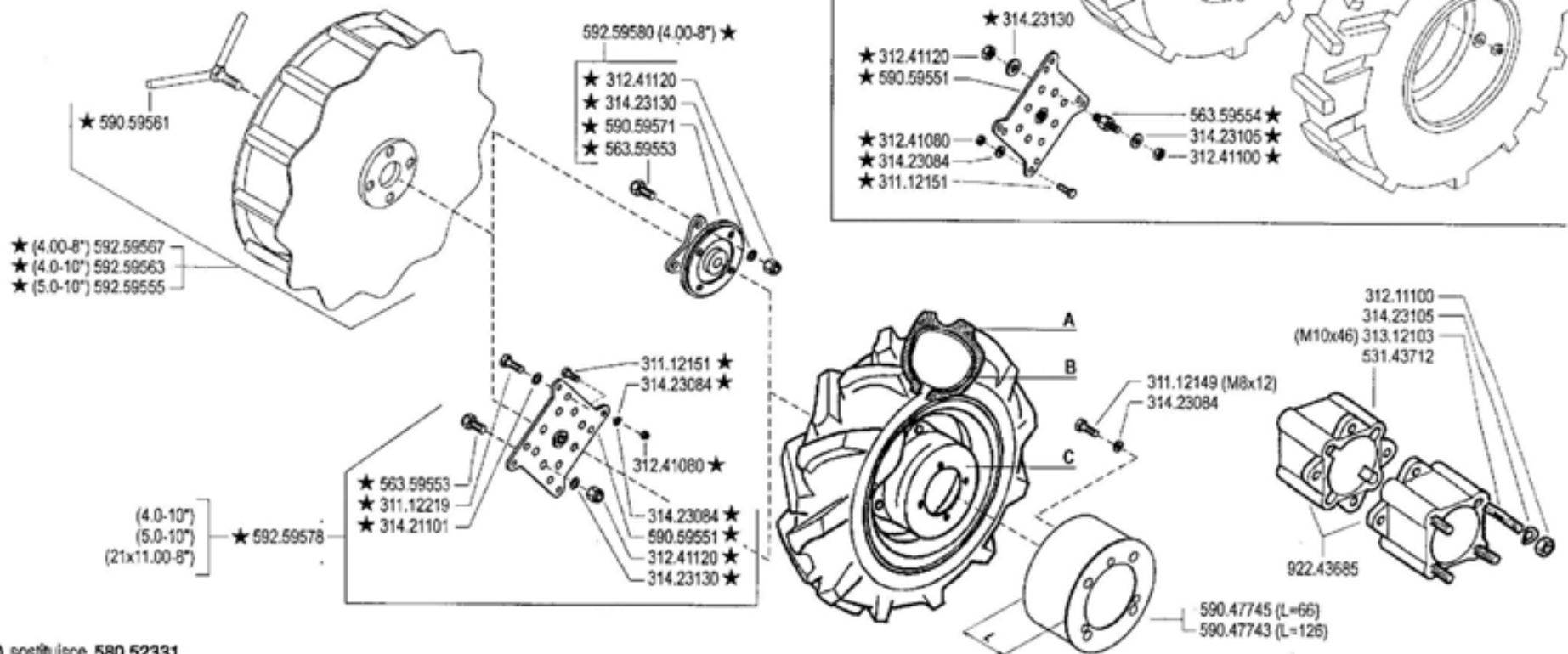
CODE REV

011\_3\_13744

	A	B	C
3.50 - 8" (500)	391.13502	394.13502	580.52325
3.50 - 8"	391.13502	394.13502	580.52326
4.00 - 8"	391.14008	394.14008	580.52326
4.0 - 10"	391.14010	394.14010	580.52327
5.0 - 10"	391.15010	394.15010	580.52327
21 x 11.00 - 8"	391.13501	TUBELESS	580.52274 ★ (1)

★ 924.57794

KIT GEMELLAGGIO PER 4.0-10" / 5.0-10"  
 TWINNING KIT FOR 4.0-10" / 5.0-10"  
 JUMELAGE KIT POUR 4.0-10" / 5.0-10"  
 KIT GEMELOS POR 4.0-10" / 5.0-10"  
 ZWILLINGSKIT 4.0-10" / 5.0-10"



(1) sostituisce 580.52331

**FERRARI**

500 serie 95

WHEELS  
RUEDAS

RUOTE

ROUES  
RÄDER

DALLA MACCHINA  
DE LA MAQUINA  
DE LA MACHINE  
FROM THE MACHINE  
AB DER MASCHINE

AGGIORNAMENTO  
REVISION  
MISE A JOUR  
APLAZAMIENTO  
ANPASSUNG

11

Rev.  
3

12/2003

★ N.

71/06

<b>Pos.</b>	<b>Code</b>	<b>Q.ty</b>	<b>Description</b>	<b>Notes</b>
59259563	59259563	0	WHEEL	
59259567	59259567	0	WHEEL	
59259578	59259578	0	FLANGE KIT	
59259580	59259580	0	FLANGE KIT	
92243685	92243685	0	PAIR WHEEL SPACERS 6 CM	
92457794	92457794	0	ADAPTOR PLATES 10 WHEELS (PAIR)	



# 500

580.52018

## FERRARI

580.52019

## FERRARI

580.52020

# 520

580.52021

# 520

580.52022

# 530

580.52023

# 530

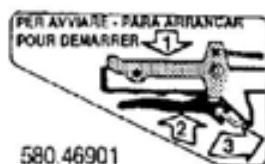
580.52024

# 510

580.52033

# 510

580.52034



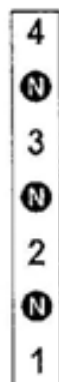
580.46901



580.46912

**FRIZIONE  
EMBRAYAGE  
EMBRAGUE**

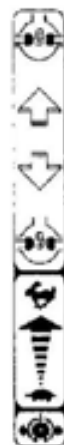
580.46903



580.57698



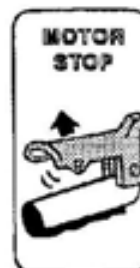
580.57678



580.46913



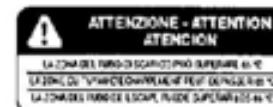
580.57712



580.46902



580.46909



580.46910



580.57722



580.57724

**FERRARI**

# 500 serie 95

ADHESIVOS  
AUTOCOLLANTS

ADESIVI

STICKERS  
AUFKLEBES

DALLA MACCHINA  
DE LA MAQUINA  
DE LA MACHINE  
FROM THE MACHINE  
AB DER MASCHINE

N.

12.00

9/1997

Pos.	Code	Q.ty	Description	Notes
58046901	58046901	0	DECAL	
58046902	58046902	0	DECAL	
58046903	58046903	0	DECAL	
58046909	58046909	0	DECAL	
58046910	58046910	0	DECAL	
58046912	58046912	0	DECAL	
58046913	58046913	0	DECAL	
58052018	58052018	0	DECAL	
58052019	58052019	0	DECAL	
58052020	58052020	0	DECAL	
58052021	58052021	0	DECAL	
58052022	58052022	0	DECAL	
58052023	58052023	0	DECAL	
58052024	58052024	0	DECAL	
58052033	58052033	0	DECAL	
58052034	58052034	0	DECAL	
58057678	58057678	0	DECAL	
58057698	58057698	0	DECAL	
58057712	58057712	0	DECAL	
58057722	58057722	0	DECAL	
58057724	58057724	0	DECAL	



580.52019 (L= 87)  
 580.52029 (L= 140) ★  
 580.52020 (L= 174)



580.52018



580.52033



580.52021



580.52023



580.52034



580.52022



580.52024



580.52144 ★



580.52146 ★



580.52148 ★



580.52145 ★



580.52147 ★



580.52149 ★

**FERRARI**

**500** serie 95

STICKERS  
ADHESIVOS

**ADESIVI**

AUTOCOLLANTS  
AUFKLEBES

DALLA MACCHINA  
DE LA MAQUINA  
DE LA MACHINE  
FROM THE MACHINE  
AB DER MASCHINE

★N.

AGGIORNAMENTO  
REVISION  
MISE A JOUR  
APLAZAMIENTO  
ANPASSUNG

**12**

Vol.  
**01**

**1/2000**

ZEKNE

Pos.	Code	Q.ty	Description	Notes
58052018	58052018	0	DECAL	
58052019	58052019	0	DECAL	
58052020	58052020	0	DECAL	
58052021	58052021	0	DECAL	
58052022	58052022	0	DECAL	
58052023	58052023	0	DECAL	
58052024	58052024	0	DECAL	
58052029	58052029	0	DECAL	
58052033	58052033	0	DECAL	
58052034	58052034	0	DECAL	
58052144	58052144	0	DECAL	
58052145	58052145	0	DECAL	
58052146	58052146	0	DECAL	
58052147	58052147	0	DECAL	
58052148	58052148	0	DECAL	
58052149	58052149	0	DECAL	

510 580.52033

510 580.52034



580.52019 (L= 87)  
580.52029 (L= 140)  
580.52020 (L= 174)

515 580.52144

515 580.52145

520 580.52021

520 580.52022

500 580.52018

530 580.52023

530 580.52024

515 L 580.52146

530 S 580.52150 ★

530 S 580.52151 ★

515 L 580.52147

530 S2 580.52154 ★

530 S2 580.52155 ★

515 S 580.52148

515 S 580.52149

FERRARI

500 serie 95

ADESIVI

STICKERS  
ADHESIVOS

AUTOCOLLANTS  
AUFKLEBES

DALLA MACCHINA  
DE LA MAQUINA  
DE LA MACHINE  
FROM THE MACHINE  
AB DER MASCHINE

AGGIORNAMENTO

REVISION

MISE A JOUR

APLAZAMIENTO

ANPASSUNG

12

Rev.  
2

10/2001

★N.

23/01/01

Pos.	Code	Q.ty	Description	Notes
58052018	58052018	0	DECAL	
58052019	58052019	0	DECAL	
58052020	58052020	0	DECAL	
58052021	58052021	0	DECAL	
58052022	58052022	0	DECAL	
58052023	58052023	0	DECAL	
58052024	58052024	0	DECAL	
58052029	58052029	0	DECAL	
58052033	58052033	0	DECAL	
58052034	58052034	0	DECAL	
58052144	58052144	0	DECAL	
58052145	58052145	0	DECAL	
58052146	58052146	0	DECAL	
58052147	58052147	0	DECAL	
58052148	58052148	0	DECAL	
58052149	58052149	0	DECAL	
58052150	58052150	0	DECAL	
58052151	58052151	0	DECAL	
58052154	58052154	0	DECAL	
58052155	58052155	0	DECAL	

4

N

PERICOLO DI RIALZAMENTO  
DANGER OF CAPSIZING  
GEFAHR DES UMSTÜLTENS  
VEHRISCHLAGENSGEFAHR  
PELIGRO DE VUELCO

580.57722



580.57724



580.46909

3

N

2

N

1

580.57698

N



580.57712



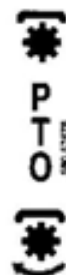
580.46902

**ATTENZIONE - ATTENTION  
ATENCIÓN**

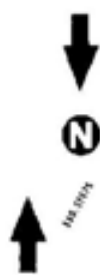
LA ZONA DEL TUBO DI SCARICO PUÒ SUPERARE 65 °C  
LA ZONE DU TUYAU D'ÉCHAPPEMENT PEUT DÉPASSER 65 °C  
LA ZONA DEL TUBO DE ESCAPE PUEDE SUPERAR 65 °C

580.46910

580.57698



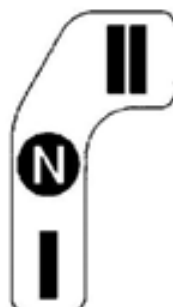
580.57678



580.57676 ★



580.46901



580.57732 ★

**FRIZIONE  
EMBRAYAGE  
EMBRAGUE**

580.46903



580.46912



580.46913

FERRARI

500 serie 95

ADESIVI

STICKERS  
ADHESIVOS

AUTOCOLLANTS  
AUFKLEBES

DALLA MACCHINA  
DE LA MAQUINA  
FROM THE MACHINE  
AB DER MASCHINE

★ N

13

Mod.  
00

1/2000

2016

Pos.	Code	Q.ty	Description	Notes
58046901	58046901	0	DECAL	
58046902	58046902	0	DECAL	
58046903	58046903	0	DECAL	
58046909	58046909	0	DECAL	
58046910	58046910	0	DECAL	
58046912	58046912	0	DECAL	
58046913	58046913	0	DECAL	
58057676	58057676	0	DECAL	
58057678	58057678	0	DECAL	
58057698	58057698	0	DECAL	
58057712	58057712	0	DECAL	
58057722	58057722	0	DECAL	
58057724	58057724	0	DECAL	
58057732	58057732	0	DECAL	





580.57698



580.46912



580.46913



580.57772 ★



580.57771 ★



580.57767 ★



580.57768 ★



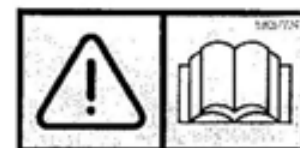
580.57678



580.57712



580.57676



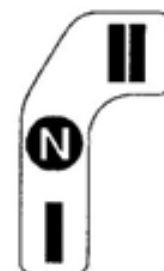
580.57724



580.57770 ★



580.57722



580.57732

FERRARI

500 serie 95

ADESIVI

STICKERS  
ADHESIVOS

AUTOCOLLANTS  
AUFKLEBES

DALLA MACCHINA  
DE LA MAQUINA  
DE LA MACHINE  
FROM THE MACHINE  
AB DER MASCHINE

AGGIORNAMENTO

REVISION

MISE A JOUR

APLAZAMIENTO

ANPASSUNG

13

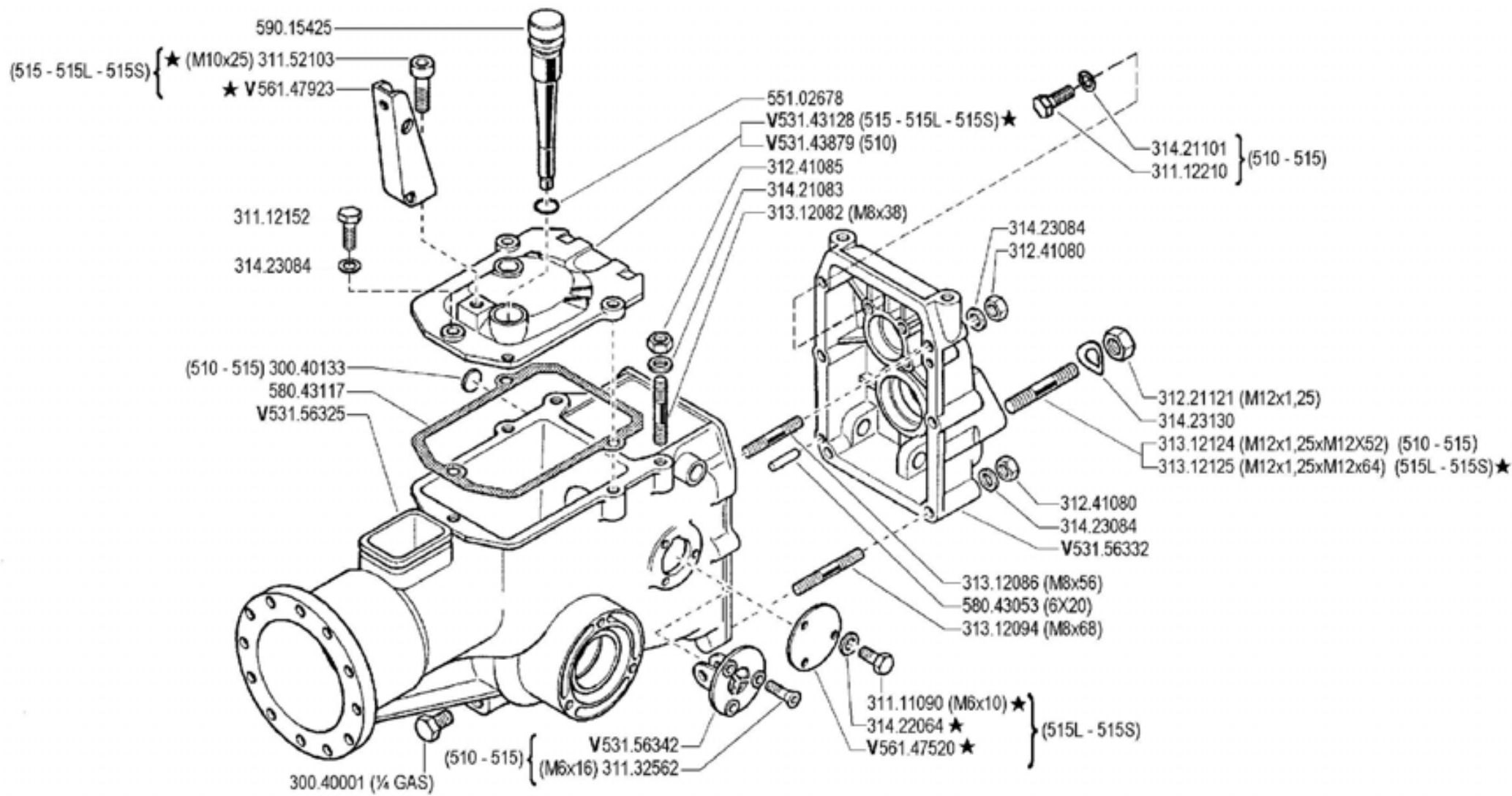
12/2003

Rev.  
1

★N

F004

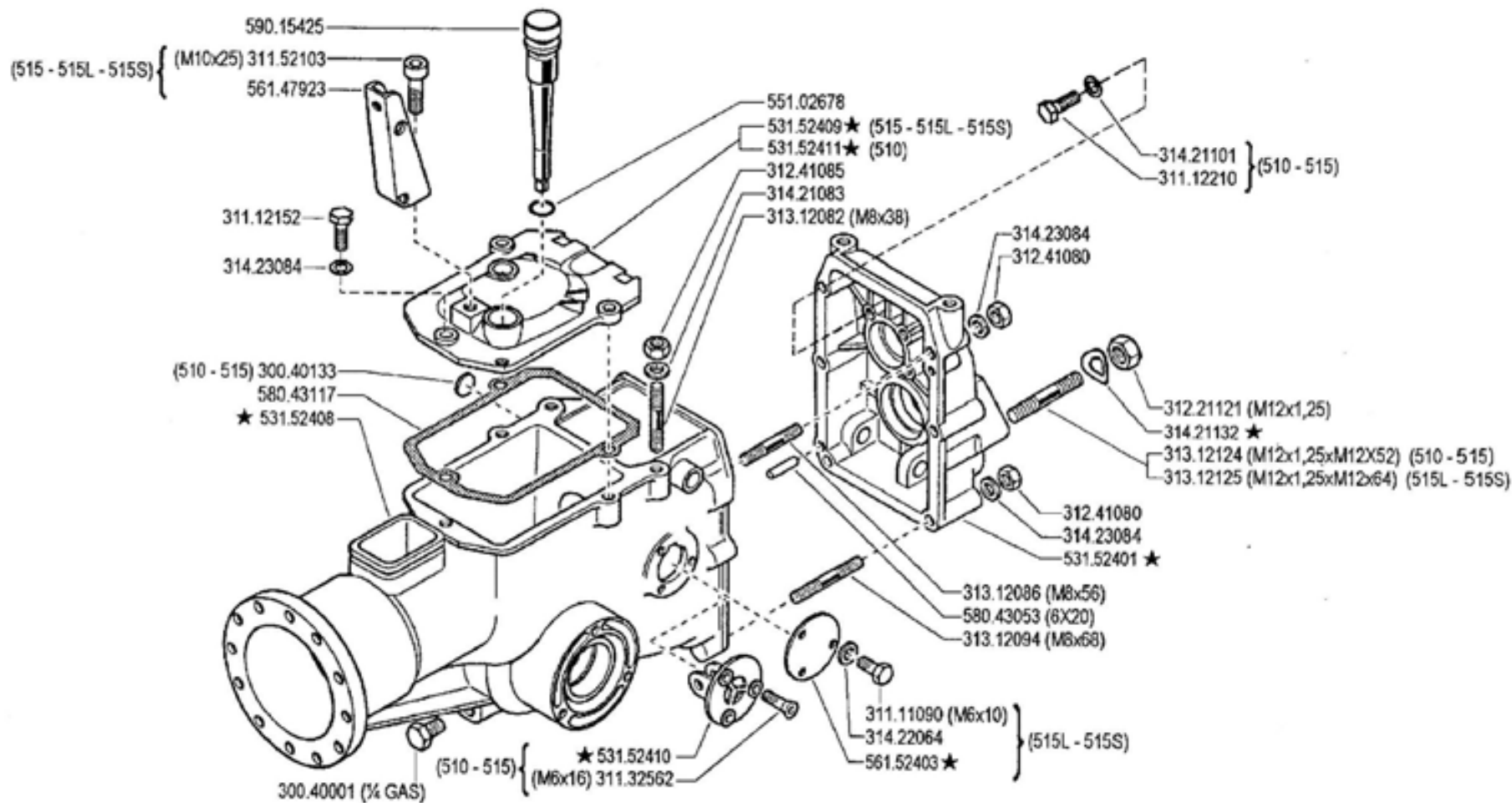
Pos.	Code	Q.ty	Description	Notes
58046912	58046912	0	DECAL	
58046913	58046913	0	DECAL	
58057676	58057676	0	DECAL	
58057678	58057678	0	DECAL	
58057698	58057698	0	DECAL	
58057712	58057712	0	DECAL	
58057722	58057722	0	DECAL	
58057724	58057724	0	DECAL	
58057732	58057732	0	DECAL	
58057767	58057767	0	DECAL	
58057768	58057768	0	DECAL	
58057770	58057770	0	DECAL	
58057771	58057771	0	DECAL	
58057772	58057772	0	DECAL	



V = verde - green - vert - grün

	<b>500</b> serie <b>95</b>	<b>SCATOLA CAMBIO (510 - 515 - 515L - 515S)</b>		DALLA MACCHINA DE LA MAQUINA DE LA MACHINE FROM THE MACHINE AB DER MASCHINE	AGGIORNAMENTO	<b>03 A</b> 01	Vol. 01
		GEARBOX	BOITE DE VITESSES		REVISION		
		CAJA DE CAMBIO	WECHSELGETRIEBE		MISE A JOUR		
					APLAZAMIENTO		
					ANPASSUNG		
				★N.	1/2000		

Pos.	Code	Q.ty	Description	Notes
30040001	30040001	0	PLUG	
30040133	30040133	0	PLUG 22 DIN 470	
31111090	31111090	0	SCREW TE M5X10 UNI 5739 8G	
31112152	31112152	0	SCREW TE M8X30 UNI 5739 8G	
31112210	31112210	0	SCREW TE M10X20 UNI 5739	
31132562	31132562	0	SCREW TSVEI M6X16 UNI 5933	
31152103	31152103	0	SCREW TCEI M10X25 UNI 5931	
31221121	31221121	0	NUT M12X1,25	
31241080	31241080	0	SELFLOCK NUT M8	
31241085	31241085	0	SELFLOCK NUT M8 6S	
31312082	31312082	0	STUD BOLT M8X38X14X20	
31312086	31312086	0	STUD BOLT M8X56X20X14	
31312094	31312094	0	STUD BOLT M8X68X14X36	
31312124	31312124	0	STUD BOLT	
31312125	31312125	0	STUD BOLT	
31421083	31421083	0	WASHER	
31421101	31421101	0	WASHER	
31422064	31422064	0	SPRING WASHER 6,4	
31423084	31423084	0	SPRING WASHER 8,4	
31423130	31423130	0	SPRING WASHER 13	
53143128	53143128	0	COVER	
53143879	53143879	0	GEARBOX HOUSING COVER	
53156325	53156325	0	BODY	
53156332	53156332	0	REAR COVER	
53156342	53156342	0	GEAR SUPPORT	
55102678	55102678	0	RUBBER RING	
56147520	56147520	0	COVER	
56147923	56147923	0	BRACKET	
58043053	58043053	0	CYLINDRICAL PLUG	
58043117	58043117	0	COVER GASKET	
59015425	59015425	0	PLUG	



**FERRARI**

**500** serie 95

**SCATOLA CAMBIO (510 - 515 - 515L - 515S)**

GEARBOX  
CAJA DE CAMBIO

BOITE DE VITESSES  
WECHSELGETRIEBE

DALLA MACCHINA  
DE LA MAQUINA  
DE LA MACHINE  
FROM THE MACHINE  
AB DER MASCHINE

AGGIORNAMENTO  
REVISION  
MISE A JOUR  
APLAZAMIENTO  
ANPASSUNG

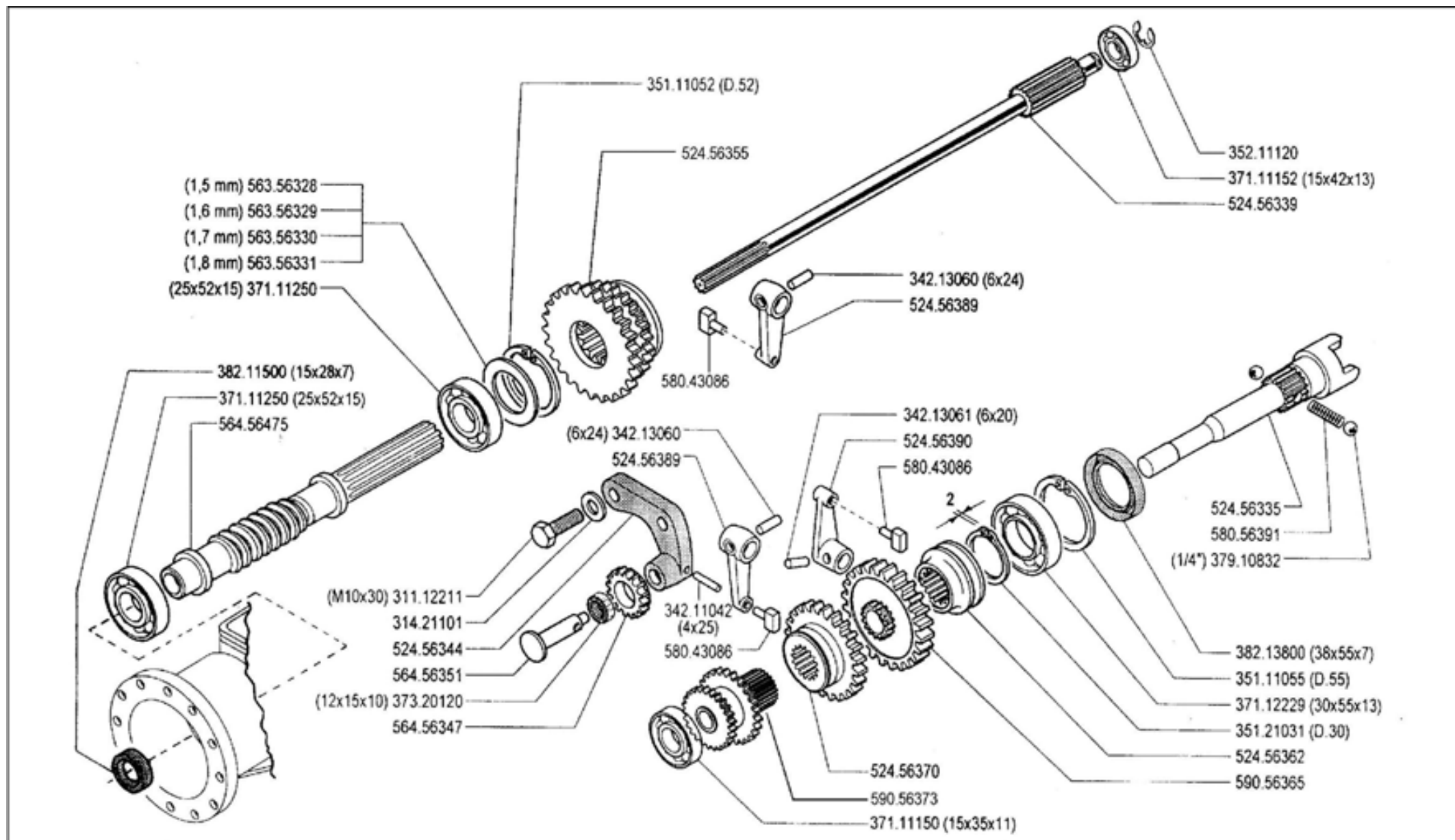
**03 A 2**

12/2002

★N

23000

Pos.	Code	Q.ty	Description	Notes
30040001	30040001	0	PLUG	
30040133	30040133	0	PLUG 22 DIN 470	
31111090	31111090	0	SCREW TE M5X10 UNI 5739 8G	
31112152	31112152	0	SCREW TE M8X30 UNI 5739 8G	
31112210	31112210	0	SCREW TE M10X20 UNI 5739	
31132562	31132562	0	SCREW TSVEI M6X16 UNI 5933	
31152103	31152103	0	SCREW TCEI M10X25 UNI 5931	
31221121	31221121	0	NUT M12X1,25	
31241080	31241080	0	SELFLOCK NUT M8	
31241085	31241085	0	SELFLOCK NUT M8 6S	
31312082	31312082	0	STUD BOLT M8X38X14X20	
31312086	31312086	0	STUD BOLT M8X56X20X14	
31312094	31312094	0	STUD BOLT M8X68X14X36	
31312124	31312124	0	STUD BOLT	
31312125	31312125	0	STUD BOLT	
31421083	31421083	0	WASHER	
31421101	31421101	0	WASHER	
31421132	31421132	0	WASHER 13X24X2,8	
31422064	31422064	0	SPRING WASHER 6,4	
31423084	31423084	0	SPRING WASHER 8,4	
53152401	53152401	0	REAR COVER	
53152408	53152408	0	BODY	
53152409	53152409	0	COVER	
53152410	53152410	0	GEAR SUPPORT	
53152411	53152411	0	GEARBOX HOUSING COVER	
55102678	55102678	0	RUBBER RING	
56147923	56147923	0	BRACKET	
56152403	56152403	0	COVER	
58043053	58043053	0	CYLINDRICAL PLUG	
58043117	58043117	0	COVER GASKET	
59015425	59015425	0	PLUG	



**FERRARI**

**500** serie **95**

**INGRANAGGI CAMBIO (515L - 515S)**

GEARS  
ENGRANAJES

ENGRANAGES  
ZÄHNRÄDER

DALLA MACCHINA  
DE LA MAQUINA  
DE LA MACHINE  
FROM THE MACHINE  
AB DER MASCHINE

N.

**04 B 00**

1/2000

Vid

ZENIT

Pos.	Code	Q.ty	Description	Notes
31112211	31112211	0	SCREW TE M10X30 UNI 5739	
31421101	31421101	0	WASHER	
34211042	34211042	0	ROLL PIN	
34213060	34213060	0	ROLL PIN	
34213061	34213061	0	ROLL PIN	
35111052	35111052	0	SEEGER RING I 52 DIN 472	
35111055	35111055	0	SEEGER RING I 55 DIN 472	
35121031	35121031	0	SEEGER RING E 30 UNI 7436	
35211120	35211120	0	SEEGER RING E 12 UNI 7434	
37111150	37111150	0	BEARING	
37111152	37111152	0	BEARING	
37111250	37111250	0	BEARING	
37112229	37112229	0	BEARING	
37320120	37320120	0	ROLLER CAGE 12X15/10	
37910832	37910832	0	BALL 1/4	
38211500	38211500	0	OIL SEAL 15X28X7	
38213800	38213800	0	OIL SEAL 38X55X7	
52456335	52456335	0	PTO SHAFT	
52456339	52456339	0	SHAFT	
52456344	52456344	0	GEAR SUPPORT	
52456355	52456355	0	SLIDER	
52456362	52456362	0	COUPLING	
52456370	52456370	0	SLIDER	
52456389	52456389	0	LEVER	
52456390	52456390	0	LEVER	
56356328	56356328	0	ADJUSTING RING SP=1,5	
56356329	56356329	0	ADJUSTING RING SP=1,6	
56356330	56356330	0	ADJUSTING RING SP=1,7	
56356331	56356331	0	ADJUSTING RING SP=1,8	
56456347	56456347	0	GEAR	
56456351	56456351	0	GEAR PIN	
56456475	56456475	0	SCREW	
58043086	58043086	0	SHOE	
58056391	58056391	0	SPRING	

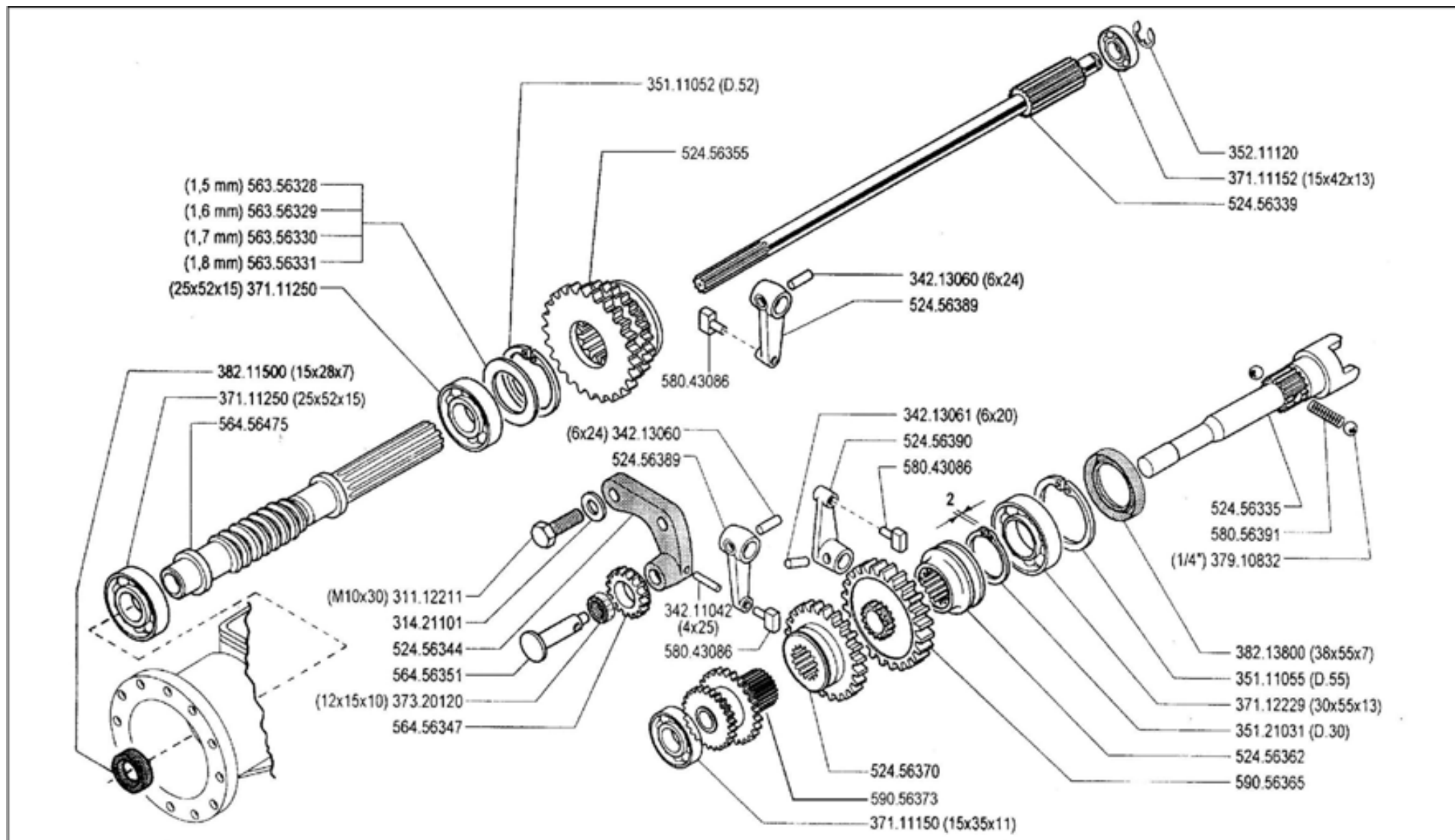
SERIAL

**GEARS (515L-515S)**

CODE REV

**04B\_0\_14068**





**FERRARI**

**500** serie **95**

**INGRANAGGI CAMBIO (515L - 515S)**

GEARS  
ENGRANAJES

ENGRANAGES  
ZÄHNRÄDER

DALLA MACCHINA  
DE LA MAQUINA  
DE LA MACHINE  
FROM THE MACHINE  
AB DER MASCHINE

N.

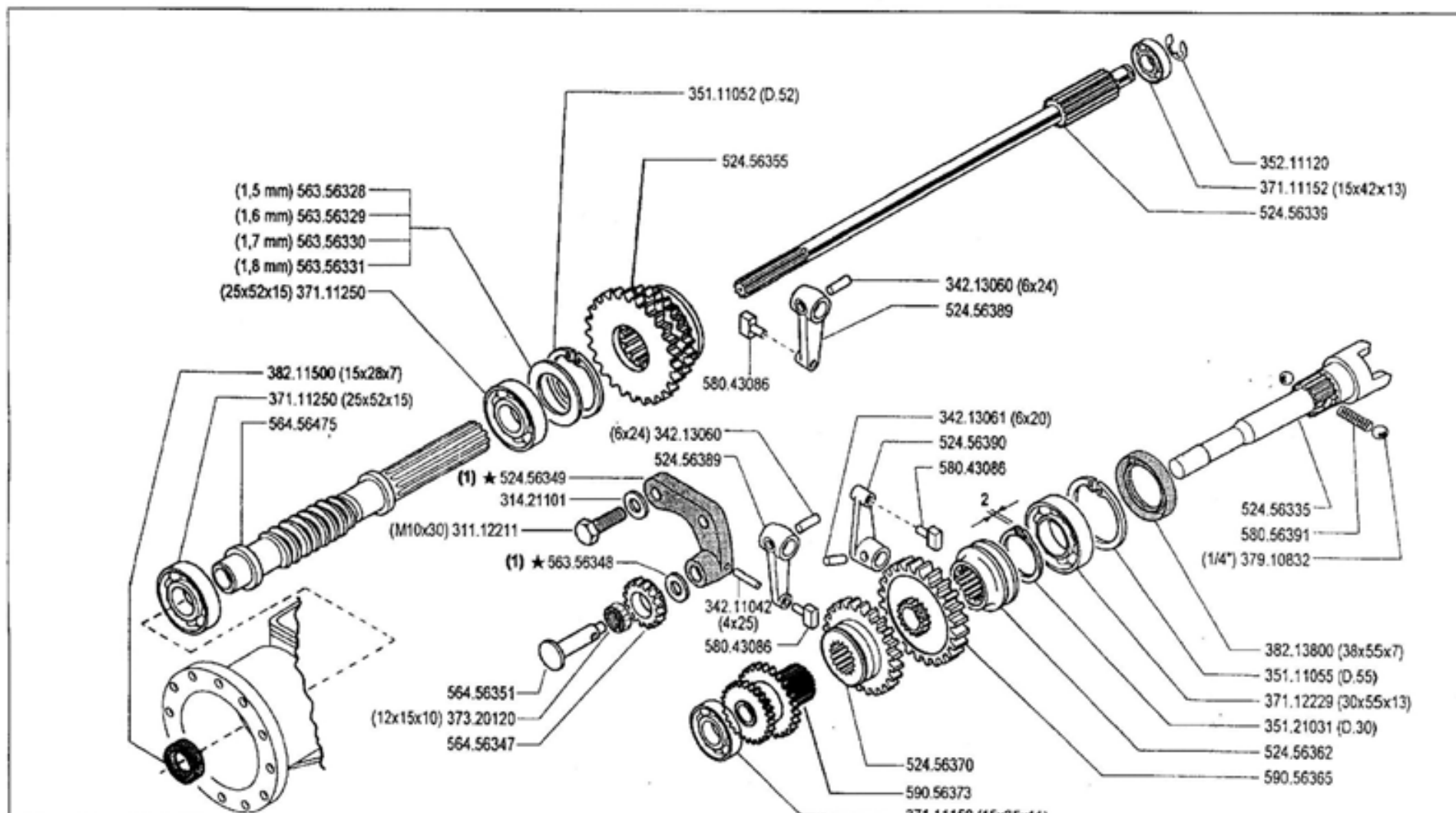
**04 B 00**

1/2000


Vid

ZENIT

Pos.	Code	Q.ty	Description	Notes
59056365	59056365	0	PTO GEAR	
59056373	59056373	0	DOUBLE GEAR	



(1) sostituisce 524.56344

	<b>500</b> serie <b>95</b>	<b>INGRANAGGI CAMBIO (515L - 515S)</b>		DALLA MACCHINA DE LA MAQUINA DE LA MACHINE FROM THE MACHINE AB DER MASCHINE	AGGIORNAMENTO	<b>04 B</b>	Rev. <b>1</b>
		GEARS ENGRANAJES	ENGRANAGES ZAHNRÄDER		REVISION		
					MISE A JOUR		
					ANPASSUNG		
				<b>★N</b>		<b>9/2000</b>	

FRANC

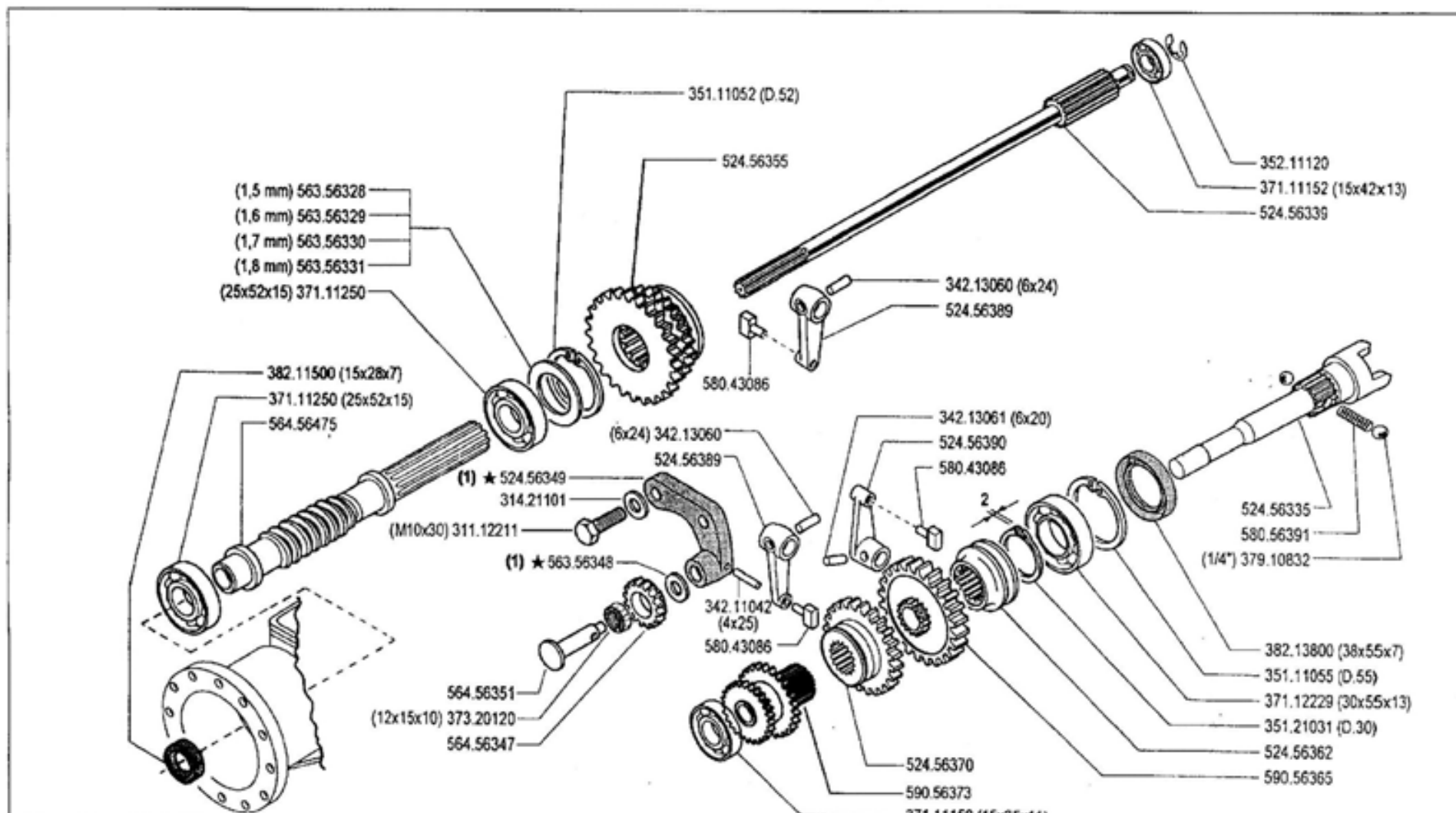
Pos.	Code	Q.ty	Description	Notes
31112211	31112211	0	SCREW TE M10X30 UNI 5739	
31421101	31421101	0	WASHER	
34211042	34211042	0	ROLL PIN	
34213060	34213060	0	ROLL PIN	
34213061	34213061	0	ROLL PIN	
35111052	35111052	0	SEEGER RING I 52 DIN 472	
35111055	35111055	0	SEEGER RING I 55 DIN 472	
35121031	35121031	0	SEEGER RING E 30 UNI 7436	
35211120	35211120	0	SEEGER RING E 12 UNI 7434	
37111150	37111150	0	BEARING	
37111152	37111152	0	BEARING	
37111250	37111250	0	BEARING	
37112229	37112229	0	BEARING	
37320120	37320120	0	ROLLER CAGE 12X15/10	
37910832	37910832	0	BALL 1/4	
38211500	38211500	0	OIL SEAL 15X28X7	
38213800	38213800	0	OIL SEAL 38X55X7	
52456335	52456335	0	PTO SHAFT	
52456339	52456339	0	SHAFT	
52456349	52456349	0	GEAR SUPPORT	
52456355	52456355	0	SLIDER	
52456362	52456362	0	COUPLING	
52456370	52456370	0	SLIDER	
52456389	52456389	0	LEVER	
52456390	52456390	0	LEVER	
56356328	56356328	0	ADJUSTING RING SP=1,5	
56356329	56356329	0	ADJUSTING RING SP=1,6	
56356330	56356330	0	ADJUSTING RING SP=1,7	
56356331	56356331	0	ADJUSTING RING SP=1,8	
56356348	56356348	0	ADJUSTING RING	
56456347	56456347	0	GEAR	
56456351	56456351	0	GEAR PIN	
56456475	56456475	0	SCREW	
58043086	58043086	0	SHOE	

SERIAL

**GEARS (515L-515S)**

CODE REV

**04B\_1\_14105**



(1) sostituisce 524.56344

**FERRARI**

500 serie 95

**INGRANAGGI CAMBIO (515L - 515S)**

GEARS  
ENGRANAJES

ENGRANAGES  
ZÄHRÄDER

DALLA MACCHINA  
DE LA MAQUINA  
DE LA MACHINE  
FROM THE MACHINE  
AB DER MASCHINE

AGGIORNAMENTO

REVISION

MISE A JOUR

APLAZAMIENTO

ANPASSUNG

**04 B 1**

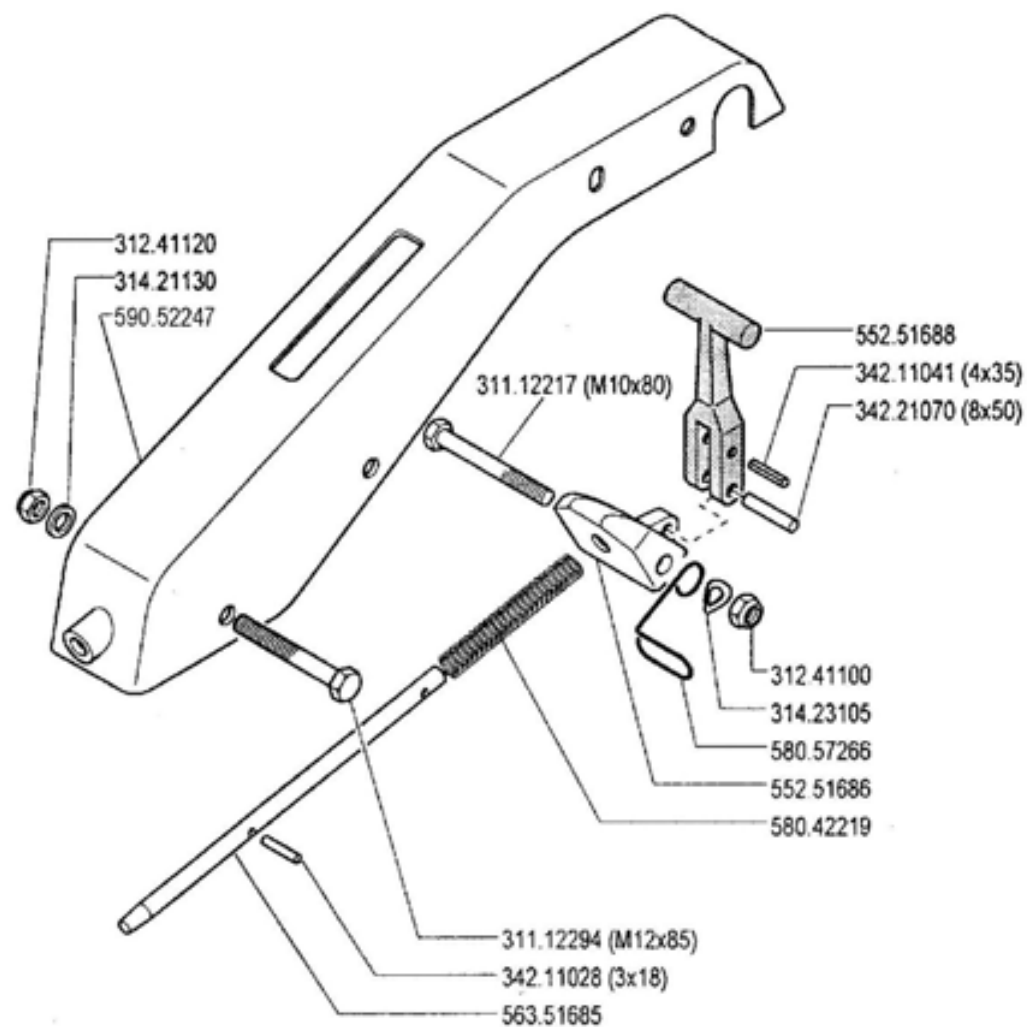
Rev.

9/2000

★N

FIN

Pos.	Code	Q.ty	Description	Notes
58056391	58056391	0	SPRING	
59056365	59056365	0	PTO GEAR	
59056373	59056373	0	DOUBLE GEAR	



**FERRARI**

500 serie 95

PIANTONE (515 - 515L - 515S)

STEERING COLUMN  
 COLUMNA

PLANTON  
 LENKSÄULE

DALLA MACCHINA  
 DE LA MACHINE  
 DE LA MACHINE  
 FROM THE MACHINE  
 AB DER MASCHINE

N.

07 A 00

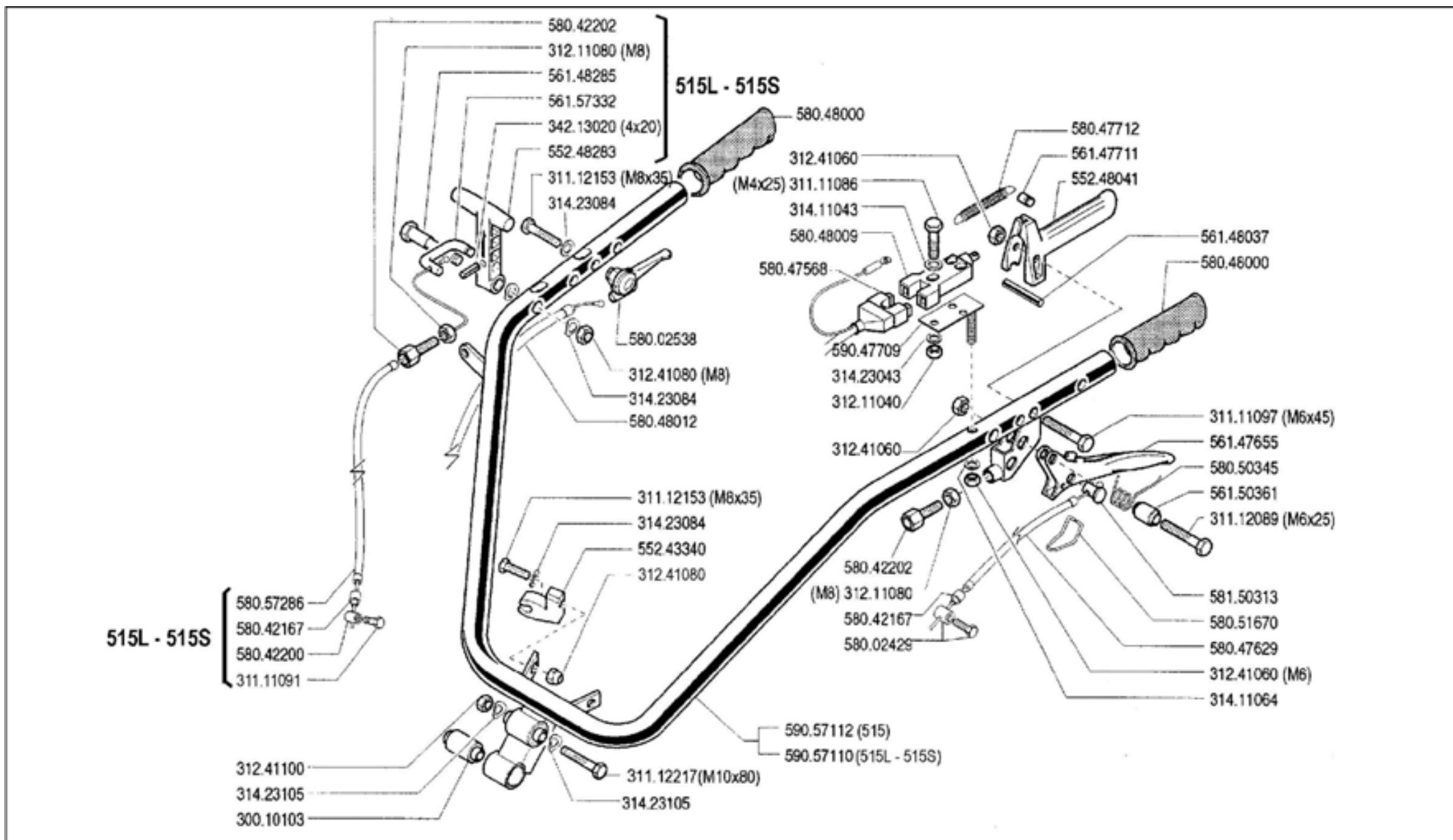
1/2000

Wid

ZENIT

Pos.	Code	Q.ty	Description	Notes
31112217	31112217	0	SCREW TE M10X80 UNI 5737	
31112294	31112294	0	SCREW TE M12X85 UNI 5737	
31241100	31241100	0	SELFLOCK NUT M10 6S	
31241120	31241120	0	SELFLOCK NUT M12	
31421130	31421130	0	WASHER	
31423105	31423105	0	SPRING WASHER 10,5	
34211028	34211028	0	ROLL PIN	
34211041	34211041	0	ROLL PIN	
34221070	34221070	0	CYLINDRICAL PLUG 8X50 UNI 1707	
55251686	55251686	0	LEVER BEARING	
55251688	55251688	0	LEVER	
56351685	56351685	0	ROD	
58042219	58042219	0	SPRING	
58057266	58057266	0	HOLDER	
59052247	59052247	0	HANDLE BAR COLUMN	





**FERRARI**

**500** serie **95**

**MANUBRIO (515 - 515L - 515S)**

HANDLEBAR  
 MANILLAR

MANCHERON  
 LENKER

DALLA MACCHINA  
 DE LA MAQUINA  
 DE LA MACHINE  
 FROM THE MACHINE  
 AB DER MASCHINE

N.

**08 A** 00

1/2000

Verd

ZENTAG

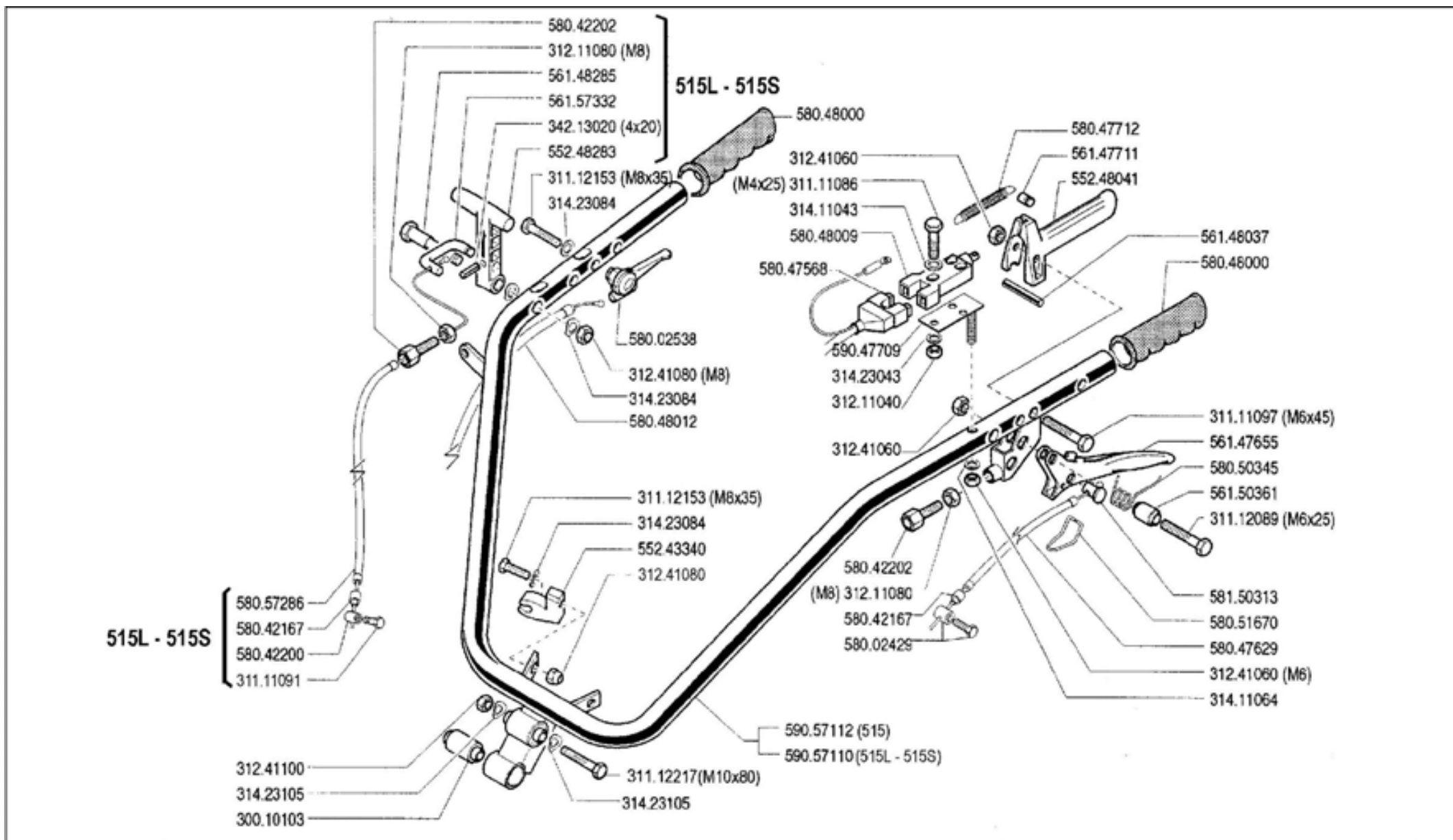
Pos.	Code	Q.ty	Description	Notes
30010103	30010103	0	SILENT-BLOCK 10,2X30X45X60,5	
31111086	31111086	0	SCREW TE M4X25 UNI 5739 8G	
31111091	31111091	0	SCREW E M6X14 UNI 5739 8G	
31111097	31111097	0	SCREW TE M6X45 UNI 5737 8G	
31112089	31112089	0	SCREW TE M6X25 UNI 5739 8G	
31112153	31112153	0	SCREW TE M8X35 UNI 5739 8G	
31112217	31112217	0	SCREW TE M10X80 UNI 5737	
31211040	31211040	0	NUT M4	
31211080	31211080	0	NUT M8	
31241060	31241060	0	SELFLOCK NUT M6	
31241080	31241080	0	SELFLOCK NUT M8	
31241100	31241100	0	SELFLOCK NUT M10 6S	
31411043	31411043	0	WASHER 4,3X9	
31411064	31411064	0	WASHER 6,4x12,5	
31423043	31423043	0	SPRING WASHER 4,3	
31423084	31423084	0	SPRING WASHER 8,4	
31423105	31423105	0	SPRING WASHER 10,5	
34213020	34213020	0	ROLL PIN	
55243340	55243340	0	SUPPORT	
55248041	55248041	0	LEVER	
55248283	55248283	0	COMMAND LEVER	
56147655	56147655	0	CLUTCH LEVER	
56147711	56147711	0	PIN	
56148037	56148037	0	LEVER STOP	
56148285	56148285	0	PIN	
56150361	56150361	0	SPACER	
56157332	56157332	0	U BOLT	
58002429	58002429	0	CLAMPING SCREW	
58002538	58002538	0	COMMAND LEVER	
58042167	58042167	0	SHEATH TERMINAL	
58042200	58042200	0	CLAMPING SCREW	
58042202	58042202	0	ADJUSTING SCREW	
58047568	58047568	0	WIRING	
58047629	58047629	0	LINE AND SHEATH	

SERIAL

**HANDLEBAR (515-515L-515S)**

CODE REV

**08A\_0\_14359**



**FERRARI**

**500** serie **95**

**MANUBRIO (515 - 515L - 515S)**

HANDLEBAR  
 MANILLAR

MANCHERON  
 LENKER

DALLA MACCHINA  
 DE LA MAGINA  
 DE LA MACHINE  
 FROM THE MACHINE  
 AB DER MASCHINE

N.

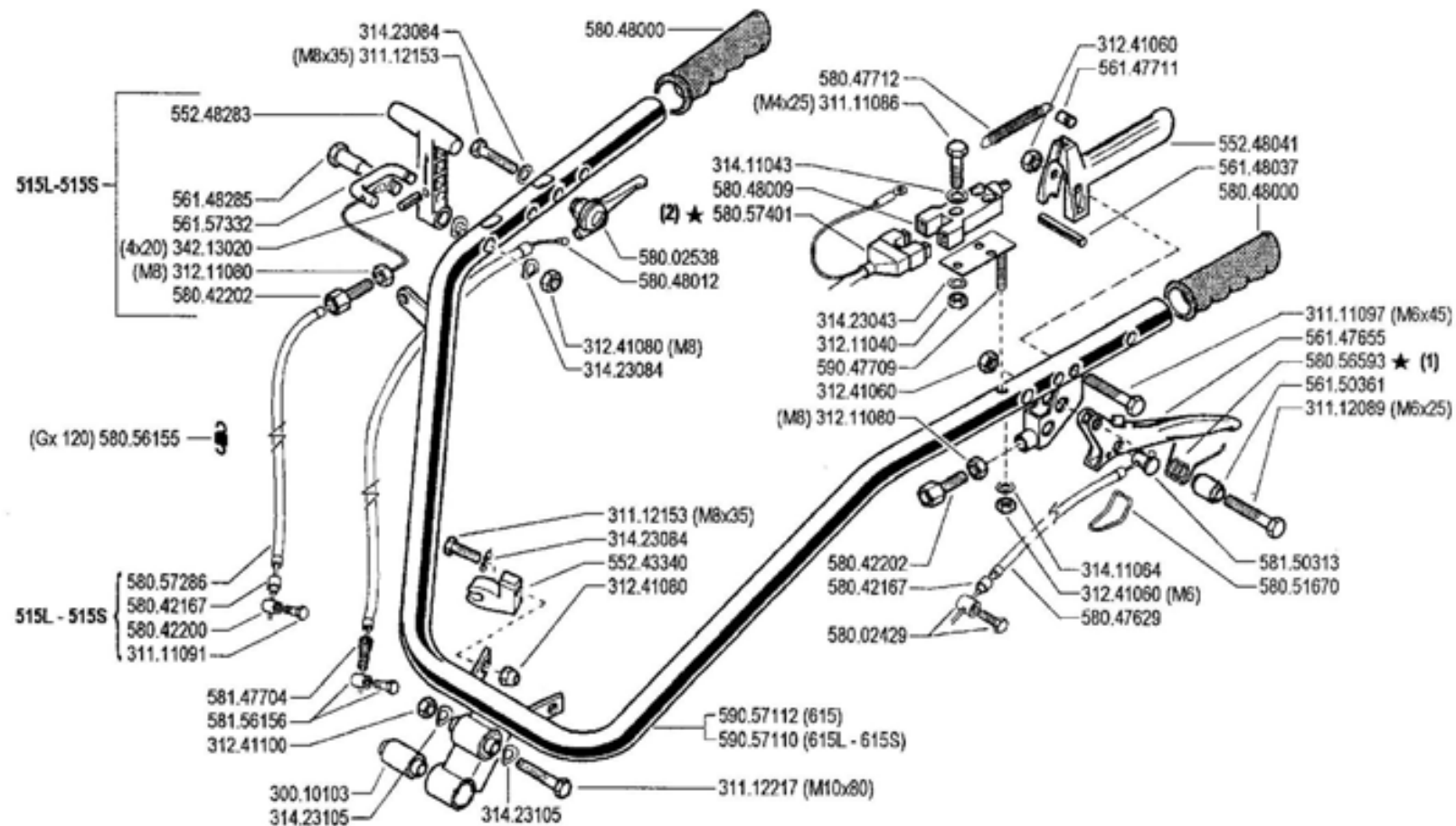
**08 A** 00

1/2000

Vid

ZENIT

Pos.	Code	Q.ty	Description	Notes
58047712	58047712	0	SPRING	
58048000	58048000	0	KNOB	
58048009	58048009	0	SWITCH	
58048012	58048012	0	LINE AND SHEATH	
58050345	58050345	0	SPRING	
58051670	58051670	0	CLEVIS	
58057286	58057286	0	LINE AND SHEATH	
58150313	58150313	0	CABLE CLAMP	
59047709	59047709	0	SWITCH SUPPORT	
59057110	59057110	0	COMPLETE HANDLE BAR	
59057112	59057112	0	COMPLETE HANDLE BAR	



(2) sostituisce 580.47568  
 (1) sostituisce 580.50345

**FERRARI**

500 serie 95

HANDLEBAR  
 MANILLAR

MANUBRIO (515 - 515L - 515S)

MANCHERON  
 LENKER

DALLA MACCHINA  
 DE LA MAQUINA  
 DE LA MACHINE  
 FROM THE MACHINE  
 AB DER MASCHINE

AGGIORNAMENTO  
 REVISION  
 MISE A JOUR  
 APLAZAMIENTO  
 ANPASSUNG

★N.

08 A 1

10/2002

REV. 1

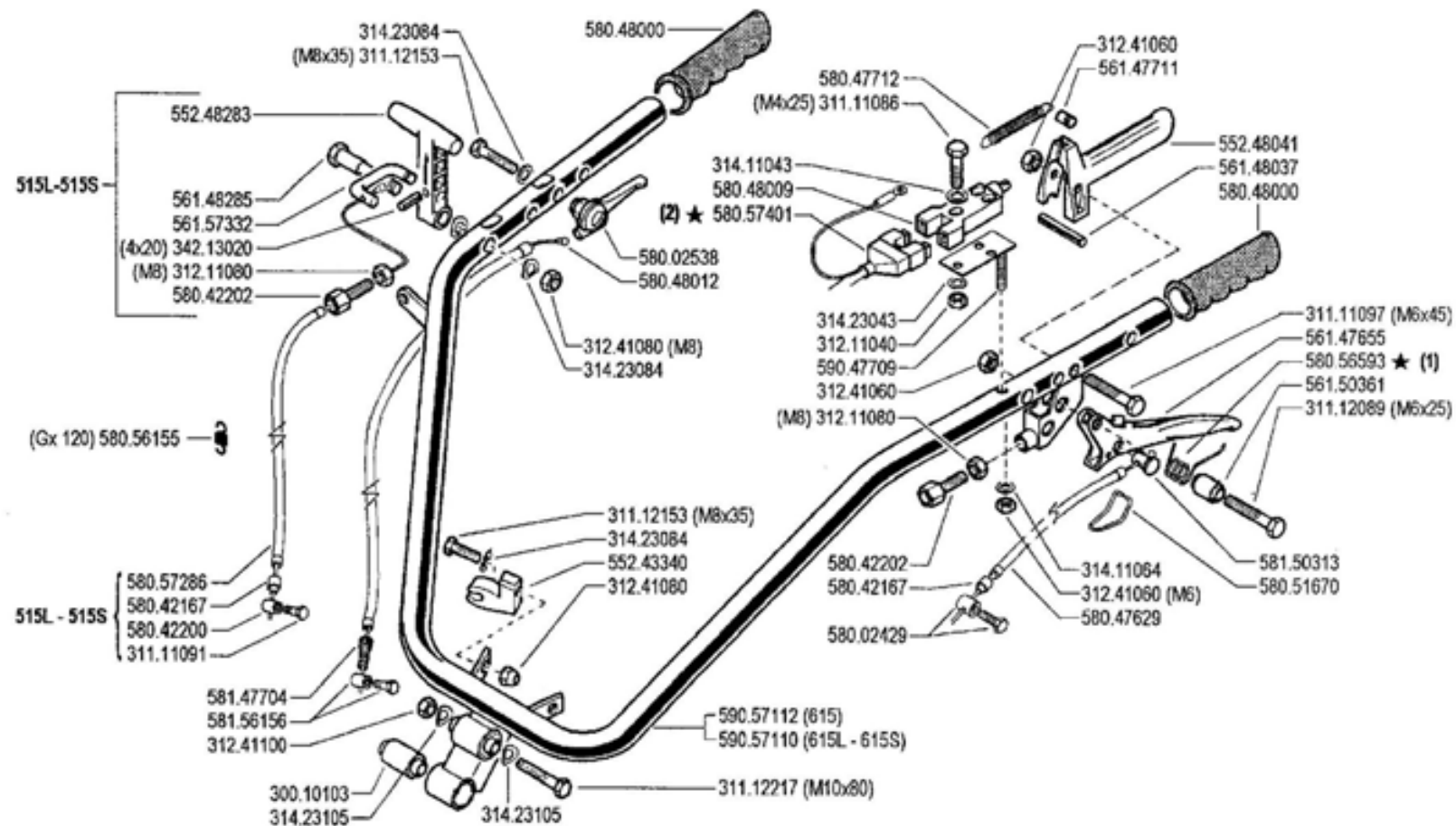
Pos.	Code	Q.ty	Description	Notes
30010103	30010103	0	SILENT-BLOCK 10,2X30X45X60,5	
31111086	31111086	0	SCREW TE M4X25 UNI 5739 8G	
31111091	31111091	0	SCREW E M6X14 UNI 5739 8G	
31111097	31111097	0	SCREW TE M6X45 UNI 5737 8G	
31112089	31112089	0	SCREW TE M6X25 UNI 5739 8G	
31112153	31112153	0	SCREW TE M8X35 UNI 5739 8G	
31112217	31112217	0	SCREW TE M10X80 UNI 5737	
31211040	31211040	0	NUT M4	
31211080	31211080	0	NUT M8	
31241060	31241060	0	SELFLOCK NUT M6	
31241080	31241080	0	SELFLOCK NUT M8	
31241100	31241100	0	SELFLOCK NUT M10 6S	
31411043	31411043	0	WASHER 4,3X9	
31411064	31411064	0	WASHER 6,4x12,5	
31423043	31423043	0	SPRING WASHER 4,3	
31423084	31423084	0	SPRING WASHER 8,4	
31423105	31423105	0	SPRING WASHER 10,5	
34213020	34213020	0	ROLL PIN	
55243340	55243340	0	SUPPORT	
55248041	55248041	0	LEVER	
55248283	55248283	0	COMMAND LEVER	
56147655	56147655	0	CLUTCH LEVER	
56147711	56147711	0	PIN	
56148037	56148037	0	LEVER STOP	
56148285	56148285	0	PIN	
56150361	56150361	0	SPACER	
56157332	56157332	0	U BOLT	
58002429	58002429	0	CLAMPING SCREW	
58002538	58002538	0	COMMAND LEVER	
58042167	58042167	0	SHEATH TERMINAL	
58042200	58042200	0	CLAMPING SCREW	
58042202	58042202	0	ADJUSTING SCREW	
58047629	58047629	0	LINE AND SHEATH	
58047712	58047712	0	SPRING	

SERIAL

**HANDLEBAR (515-515L-515S)**

CODE REV

**08A\_1\_14405**



(2) sostituisce 580.47568  
 (1) sostituisce 580.50345

**FERRARI**

**500** serie **95**

HANDLEBAR  
 MANILLAR

**MANUBRIO (515 - 515L - 515S)**

MANCHERON  
 LENKER

DALLA MACCHINA  
 DE LA MAQUINA  
 DE LA MACHINE  
 FROM THE MACHINE  
 AB DER MASCHINE

AGGIORNAMENTO  
 REVISION  
 MISE A JOUR  
 APLAZAMIENTO  
 ANPASSUNG

★N.

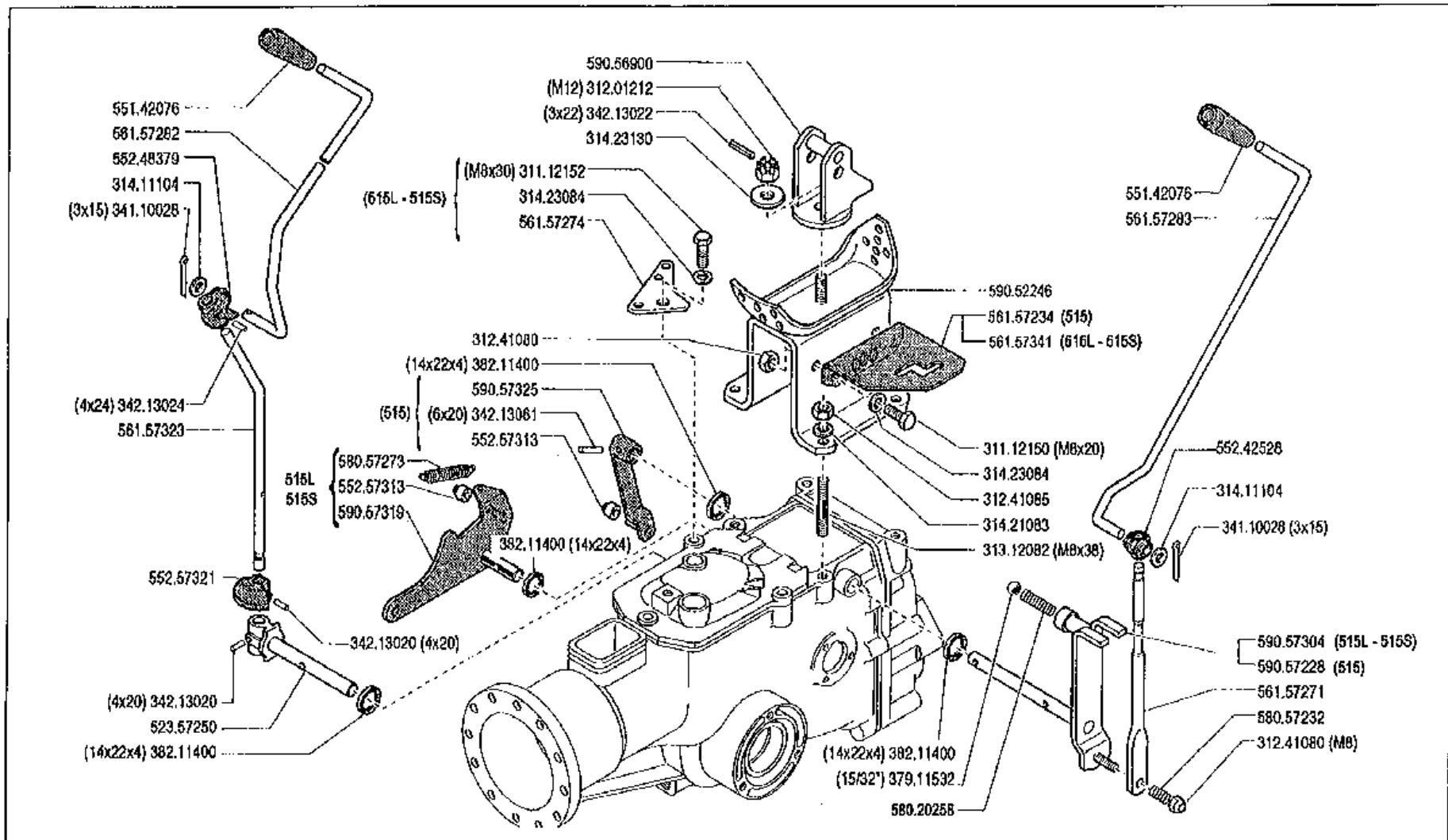
08 A 1


10/2002

REV. 08

Pos.	Code	Q.ty	Description	Notes
58048000	58048000	0	KNOB	
58048009	58048009	0	SWITCH	
58048012	58048012	0	LINE AND SHEATH	
58051670	58051670	0	CLEVIS	
58056155	58056155	0	RESTORING SPRING	Utilizzato con motore GX270
58056593	58056593	0	SPRING	
58057286	58057286	0	LINE AND SHEATH	
58057401	58057401	0	WIRING	
58147704	58147704	0	ADJUSTING SCREW	
58150313	58150313	0	CABLE CLAMP	
58156156	58156156	0	TERMINAL	
59047709	59047709	0	SWITCH SUPPORT	
59057110	59057110	0	COMPLETE HANDLE BAR	
59057112	59057112	0	COMPLETE HANDLE BAR	





	<b>500</b> serie <b>95</b>	<b>COMANDI (515 - 515L - 515S)</b>		DALLA MACCHINA DE LA MAQUINA DE LA MACHINE FROM THE MACHINE AB DER MASCHINE	Mod. <b>09 A 00</b>
		CONTROLS MANDOS	COMMANDES ANTRIEBE		

25556

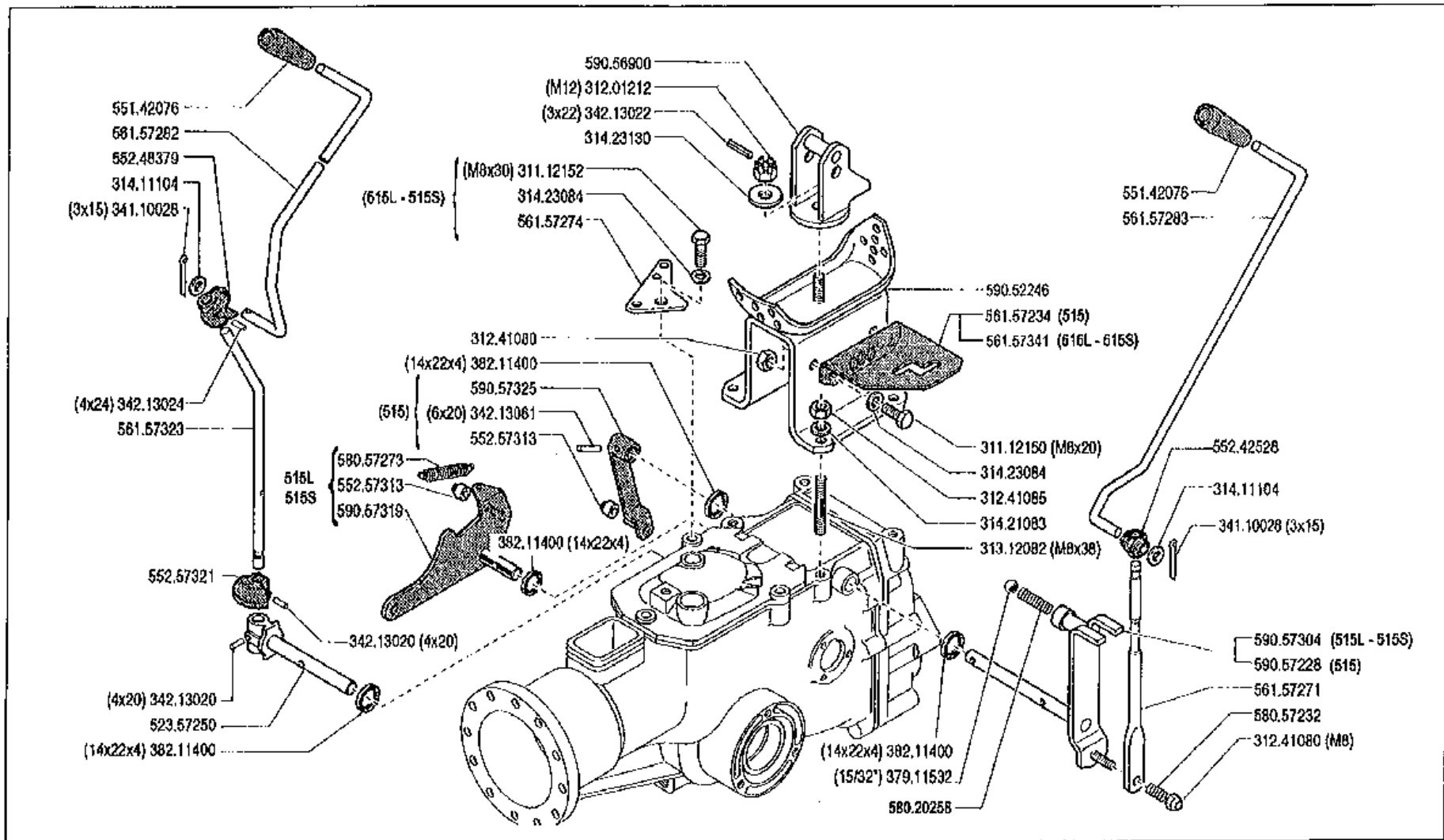
Pos.	Code	Q.ty	Description	Notes
31112150	31112150	0	SCREW TE M8X20 UNI 5739 8G	
31112152	31112152	0	SCREW TE M8X30 UNI 5739 8G	
31201212	31201212	0	NUT M12	
31241080	31241080	0	SELFLOCK NUT M8	
31241085	31241085	0	SELFLOCK NUT M8 6S	
31312082	31312082	0	STUD BOLT M8X38X14X20	
31411104	31411104	0	WASHER 10,5x18	
31421083	31421083	0	WASHER	
31423084	31423084	0	SPRING WASHER 8,4	
31423130	31423130	0	SPRING WASHER 13	
34110028	34110028	0	SPLIT PIN	
34213020	34213020	0	ROLL PIN	
34213022	34213022	0	ROLL PIN	
34213024	34213024	0	ROLL PIN	
34213061	34213061	0	ROLL PIN	
37911532	37911532	0	BALL 15/32	
38211400	38211400	0	OIL SEAL 14X22X4	
52357250	52357250	0	PIN	
55142076	55142076	0	KNOB	
55242528	55242528	0	JOINT	
55248379	55248379	0	JOINT	
55257313	55257313	0	ROLLER	
55257321	55257321	0	STOP	
56157234	56157234	0	GEAR SELECTOR	
56157271	56157271	0	COMMAND LEVER	
56157274	56157274	0	SQUARE	
56157282	56157282	0	ROD	
56157283	56157283	0	GEARSHIFT ROD	
56157323	56157323	0	PTO LEVER	
56157341	56157341	0	GEAR SELECTOR	
58020258	58020258	0	SPRING	
58057232	58057232	0	SPRING	
58057273	58057273	0	SPRING	
59052246	59052246	0	SUMP	

SERIAL

**CONTROLS (515-515L-515S)**

CODE REV

**09A\_0\_14579**



<b>FERRARI</b>	<b>500</b> serie <b>95</b>	<b>COMANDI (515 - 515L - 515S)</b>		DALLA MACCHINA DE LA MAQUINA DE LA MACHINE FROM THE MACHINE AB DER MASCHINE	N	Mod.
		CONTROLS MANDOS	COMMANDES ANTRIEBE			09 A 00
						1/2000

25/95

<b>Pos.</b>	<b>Code</b>	<b>Q.ty</b>	<b>Description</b>	<b>Notes</b>
59056900	59056900	0	SUPPORT	
59057228	59057228	0	GEAR LEVER	
59057304	59057304	0	GEAR LEVER	
59057319	59057319	0	LEVER	
59057325	59057325	0	LEVER	

# SPARE PARTS INSTANCE INDEX





## SPARE PARTS INSTANCE INDEX

Code	Parts Table	Pos.	Q.ty	Code	Parts Table	Pos.	Q.ty	Code	Parts Table	Pos.	Q.ty
30010103	08A_0_14359	30010103	0	31112210	03A_1_13913	31112210	0	31241085	03A_1_13913	31241085	0
	08A_1_14405	30010103	0		03A_2_13945	31112210	0		03A_2_13945	31241085	0
30040001	03A_1_13913	30040001	0	31112211	04B_0_14068	31112211	0		09A_0_14579	31241085	0
	03A_2_13945	30040001	0		04B_1_14105	31112211	0	31241100	011_3_13744	31241100	0
30040133	03A_1_13913	30040133	0	31112217	07A_0_14343	31112217	0		07A_0_14343	31241100	0
	03A_2_13945	30040133	0		08A_0_14359	31112217	0		08A_0_14359	31241100	0
31100003	002_2_12761	31100003	0		08A_1_14405	31112217	0		08A_1_14405	31241100	0
	002_3_12779	31100003	0	31112219	011_3_13744	31112219	0	31241120	005_2_13039	31241120	0
31100015	002_0_12722	31100015	0	31112294	07A_0_14343	31112294	0		011_3_13744	31241120	0
	002_1_12741	31100015	0	31132562	03A_1_13913	31132562	0		07A_0_14343	31241120	0
	002_3_12779	31100015	0		03A_2_13945	31132562	0	31312082	03A_1_13913	31312082	0
31100786	002_0_12722	31100786	0	31152103	03A_1_13913	31152103	0		03A_2_13945	31312082	0
	002_1_12741	31100786	0		03A_2_13945	31152103	0		09A_0_14579	31312082	0
	002_2_12761	31100786	0	31201212	09A_0_14579	31201212	0	31312083	002_1_12741	31312083	0
	002_3_12779	31100786	0	31211040	08A_0_14359	31211040	0		002_2_12761	31312083	0
31111086	08A_0_14359	31111086	0		08A_1_14405	31211040	0		002_3_12779	31312083	0
	08A_1_14405	31111086	0	31211080	002_0_12722	31211080	0	31312086	03A_1_13913	31312086	0
31111090	03A_1_13913	31111090	0		002_1_12741	31211080	0		03A_2_13945	31312086	0
	03A_2_13945	31111090	0		002_2_12761	31211080	0	31312088	002_0_12722	31312088	0
31111091	08A_0_14359	31111091	0		002_3_12779	31211080	0		002_1_12741	31312088	0
	08A_1_14405	31111091	0		08A_0_14359	31211080	0		002_2_12761	31312088	0
31111097	08A_0_14359	31111097	0		08A_1_14405	31211080	0		002_3_12779	31312088	0
	08A_1_14405	31111097	0	31211100	005_2_13039	31211100	0	31312094	03A_1_13913	31312094	0
31112089	08A_0_14359	31112089	0		011_3_13744	31211100	0		03A_2_13945	31312094	0
	08A_1_14405	31112089	0	31221121	03A_1_13913	31221121	0	31312102	005_2_13039	31312102	0
31112147	005_2_13039	31112147	0		03A_2_13945	31221121	0	31312103	011_3_13744	31312103	0
31112149	011_3_13744	31112149	0	31241060	08A_0_14359	31241060	0	31312124	03A_1_13913	31312124	0
31112150	09A_0_14579	31112150	0		08A_1_14405	31241060	0		03A_2_13945	31312124	0
31112151	011_3_13744	31112151	0	31241080	011_3_13744	31241080	0	31312125	03A_1_13913	31312125	0
31112152	03A_1_13913	31112152	0		03A_1_13913	31241080	0		03A_2_13945	31312125	0
	03A_2_13945	31112152	0		03A_2_13945	31241080	0	31411043	08A_0_14359	31411043	0
	09A_0_14579	31112152	0		08A_0_14359	31241080	0		08A_1_14405	31411043	0
31112153	08A_0_14359	31112153	0		08A_1_14405	31241080	0	31411064	08A_0_14359	31411064	0
	08A_1_14405	31112153	0		09A_0_14579	31241080	0		08A_1_14405	31411064	0



## SPARE PARTS INSTANCE INDEX

Code	Parts Table	Pos.	Q.ty	Code	Parts Table	Pos.	Q.ty	Code	Parts Table	Pos.	Q.ty
31411104	09A_0_14579	31411104	0	31423130	011_3_13744	31423130	0	37111250	005_2_13039	37111250	0
31421083	03A_1_13913	31421083	0		03A_1_13913	31423130	0		04B_0_14068	37111250	0
	03A_2_13945	31421083	0		09A_0_14579	31423130	0		04B_1_14105	37111250	0
	09A_0_14579	31421083	0	31424084	005_2_13039	31424084	0	37112173	002_0_12722	37112173	0
31421101	011_3_13744	31421101	0	34110028	09A_0_14579	34110028	0		002_1_12741	37112173	0
	03A_1_13913	31421101	0	34211028	07A_0_14343	34211028	0		002_2_12761	37112173	0
	03A_2_13945	31421101	0	34211041	07A_0_14343	34211041	0		002_3_12779	37112173	0
	04B_0_14068	31421101	0	34211042	04B_0_14068	34211042	0	37112229	04B_0_14068	37112229	0
	04B_1_14105	31421101	0		04B_1_14105	34211042	0		04B_1_14105	37112229	0
31421130	005_2_13039	31421130	0	34213020	08A_0_14359	34213020	0	37112231	002_2_12761	37112231	0
	07A_0_14343	31421130	0		08A_1_14405	34213020	0		002_3_12779	37112231	0
31421132	03A_2_13945	31421132	0		09A_0_14579	34213020	0	37112233	002_0_12722	37112233	0
31422064	03A_1_13913	31422064	0	34213022	09A_0_14579	34213022	0		002_1_12741	37112233	0
	03A_2_13945	31422064	0	34213024	09A_0_14579	34213024	0		002_3_12779	37112233	0
31423043	08A_0_14359	31423043	0	34213060	04B_0_14068	34213060	0	37320120	04B_0_14068	37320120	0
	08A_1_14405	31423043	0		04B_1_14105	34213060	0		04B_1_14105	37320120	0
31423084	002_0_12722	31423084	0	34213061	04B_0_14068	34213061	0	37910832	04B_0_14068	37910832	0
	002_1_12741	31423084	0		04B_1_14105	34213061	0		04B_1_14105	37910832	0
	002_2_12761	31423084	0		09A_0_14579	34213061	0	37911532	09A_0_14579	37911532	0
	002_3_12779	31423084	0	34221070	07A_0_14343	34221070	0	38211400	09A_0_14579	38211400	0
	011_3_13744	31423084	0	34311060	005_2_13039	34311060	0	38211500	04B_0_14068	38211500	0
	03A_1_13913	31423084	0	35111052	005_2_13039	35111052	0		04B_1_14105	38211500	0
	03A_2_13945	31423084	0		04B_0_14068	35111052	0	38212501	005_2_13039	38212501	0
	08A_0_14359	31423084	0		04B_1_14105	35111052	0	38213800	04B_0_14068	38213800	0
	08A_1_14405	31423084	0	35111055	04B_0_14068	35111055	0		04B_1_14105	38213800	0
	09A_0_14579	31423084	0		04B_1_14105	35111055	0	39113501	011_3_13744	39113501	0
31423105	002_0_12722	31423105	0	35121031	04B_0_14068	35121031	0	39113502	011_3_13744	39113502	0
	002_1_12741	31423105	0		04B_1_14105	35121031	0	39114008	011_3_13744	39114008	0
	002_3_12779	31423105	0	35211120	04B_0_14068	35211120	0	39114010	011_3_13744	39114010	0
	005_2_13039	31423105	0		04B_1_14105	35211120	0	39115010	011_3_13744	39115010	0
	011_3_13744	31423105	0	37111150	04B_0_14068	37111150	0	39413502	011_3_13744	39413502	0
	07A_0_14343	31423105	0		04B_1_14105	37111150	0	39414008	011_3_13744	39414008	0
	08A_0_14359	31423105	0	37111152	04B_0_14068	37111152	0	39414010	011_3_13744	39414010	0
	08A_1_14405	31423105	0		04B_1_14105	37111152	0	39415010	011_3_13744	39415010	0



## SPARE PARTS INSTANCE INDEX

Code	Parts Table	Pos.	Q.ty	Code	Parts Table	Pos.	Q.ty	Code	Parts Table	Pos.	Q.ty
50947833	002_0_12722	50947833	0	53152411	03A_2_13945	53152411	0	56147711	08A_0_14359	56147711	0
	002_1_12741	50947833	0	53156150	002_3_12779	53156150	0		08A_1_14405	56147711	0
	002_2_12761	50947833	0	53156325	03A_1_13913	53156325	0	56147845	002_0_12722	56147845	0
	002_3_12779	50947833	0	53156332	03A_1_13913	53156332	0		002_1_12741	56147845	0
52357250	09A_0_14579	52357250	0	53156342	03A_1_13913	53156342	0		002_2_12761	56147845	0
52447896	002_0_12722	52447896	0	53247468	002_2_12761	53247468	0		002_3_12779	56147845	0
	002_1_12741	52447896	0	53247488	002_3_12779	53247488	0	56147923	03A_1_13913	56147923	0
	002_2_12761	52447896	0	54143090	005_2_13039	54143090	0		03A_2_13945	56147923	0
	002_3_12779	52447896	0	54143149	005_2_13039	54143149	0	56148037	08A_0_14359	56148037	0
52456335	04B_0_14068	52456335	0	55102678	03A_1_13913	55102678	0		08A_1_14405	56148037	0
	04B_1_14105	52456335	0		03A_2_13945	55102678	0	56148285	08A_0_14359	56148285	0
52456339	04B_0_14068	52456339	0	55142076	09A_0_14579	55142076	0		08A_1_14405	56148285	0
	04B_1_14105	52456339	0	55147842	002_0_12722	55147842	0	56150361	08A_0_14359	56150361	0
52456344	04B_0_14068	52456344	0		002_1_12741	55147842	0		08A_1_14405	56150361	0
52456349	04B_1_14105	52456349	0		002_2_12761	55147842	0	56152403	03A_2_13945	56152403	0
52456355	04B_0_14068	52456355	0		002_3_12779	55147842	0	56156487	005_2_13039	56156487	0
	04B_1_14105	52456355	0	55242528	09A_0_14579	55242528	0	56156488	005_2_13039	56156488	0
52456362	04B_0_14068	52456362	0	55243340	08A_0_14359	55243340	0	56157234	09A_0_14579	56157234	0
	04B_1_14105	52456362	0		08A_1_14405	55243340	0	56157271	09A_0_14579	56157271	0
52456370	04B_0_14068	52456370	0	55243592	005_2_13039	55243592	0	56157274	09A_0_14579	56157274	0
	04B_1_14105	52456370	0	55248041	08A_0_14359	55248041	0	56157282	09A_0_14579	56157282	0
52456389	04B_0_14068	52456389	0		08A_1_14405	55248041	0	56157283	09A_0_14579	56157283	0
	04B_1_14105	52456389	0	55248283	08A_0_14359	55248283	0	56157323	09A_0_14579	56157323	0
52456390	04B_0_14068	52456390	0		08A_1_14405	55248283	0	56157332	08A_0_14359	56157332	0
	04B_1_14105	52456390	0	55248379	09A_0_14579	55248379	0		08A_1_14405	56157332	0
53143128	03A_1_13913	53143128	0	55251686	07A_0_14343	55251686	0	56157341	09A_0_14579	56157341	0
53143712	011_3_13744	53143712	0	55251688	07A_0_14343	55251688	0	56343058	005_2_13039	56343058	0
53143879	03A_1_13913	53143879	0	55257313	09A_0_14579	55257313	0	56347484	002_0_12722	56347484	0
53147482	002_0_12722	53147482	0	55257321	09A_0_14579	55257321	0		002_1_12741	56347484	0
	002_1_12741	53147482	0	56142314	005_2_13039	56142314	0		002_3_12779	56347484	0
53152401	03A_2_13945	53152401	0	56143059	005_2_13039	56143059	0	56349782	002_0_12722	56349782	0
53152408	03A_2_13945	53152408	0	56147520	03A_1_13913	56147520	0		002_1_12741	56349782	0
53152409	03A_2_13945	53152409	0	56147655	08A_0_14359	56147655	0		002_3_12779	56349782	0
53152410	03A_2_13945	53152410	0		08A_1_14405	56147655	0	56351685	07A_0_14343	56351685	0





# SPARE PARTS INSTANCE INDEX

Code	Parts Table	Pos.	Q.ty	Code	Parts Table	Pos.	Q.ty	Code	Parts Table	Pos.	Q.ty
56356165	002_3_12779	56356165	0	58043086	04B_0_14068	58043086	0	58052018	012_0_13785	58052018	0
56356251	002_2_12761	56356251	0		04B_1_14105	58043086	0		012_1_13807	58052018	0
	002_3_12779	56356251	0	58043117	03A_1_13913	58043117	0		012_2_13824	58052018	0
56356328	04B_0_14068	56356328	0		03A_2_13945	58043117	0	58052019	012_0_13785	58052019	0
	04B_1_14105	56356328	0	58046901	012_0_13785	58046901	0		012_1_13807	58052019	0
56356329	04B_0_14068	56356329	0		013_0_13845	58046901	0		012_2_13824	58052019	0
	04B_1_14105	56356329	0	58046902	012_0_13785	58046902	0	58052020	012_0_13785	58052020	0
56356330	04B_0_14068	56356330	0		013_0_13845	58046902	0		012_1_13807	58052020	0
	04B_1_14105	56356330	0	58046903	012_0_13785	58046903	0		012_2_13824	58052020	0
56356331	04B_0_14068	56356331	0		013_0_13845	58046903	0	58052021	012_0_13785	58052021	0
	04B_1_14105	56356331	0	58046909	012_0_13785	58046909	0		012_1_13807	58052021	0
56356348	04B_1_14105	56356348	0		013_0_13845	58046909	0		012_2_13824	58052021	0
56359553	011_3_13744	56359553	0	58046910	012_0_13785	58046910	0	58052022	012_0_13785	58052022	0
56359554	011_3_13744	56359554	0		013_0_13845	58046910	0		012_1_13807	58052022	0
56456347	04B_0_14068	56456347	0	58046912	012_0_13785	58046912	0		012_2_13824	58052022	0
	04B_1_14105	56456347	0		013_0_13845	58046912	0	58052023	012_0_13785	58052023	0
56456351	04B_0_14068	56456351	0		013_1_13860	58046912	0		012_1_13807	58052023	0
	04B_1_14105	56456351	0	58046913	012_0_13785	58046913	0		012_2_13824	58052023	0
56456475	04B_0_14068	56456475	0		013_0_13845	58046913	0	58052024	012_0_13785	58052024	0
	04B_1_14105	56456475	0		013_1_13860	58046913	0		012_1_13807	58052024	0
58002429	08A_0_14359	58002429	0	58047568	08A_0_14359	58047568	0		012_2_13824	58052024	0
	08A_1_14405	58002429	0	58047629	08A_0_14359	58047629	0	58052029	012_1_13807	58052029	0
58002538	08A_0_14359	58002538	0		08A_1_14405	58047629	0		012_2_13824	58052029	0
	08A_1_14405	58002538	0	58047712	08A_0_14359	58047712	0	58052033	012_0_13785	58052033	0
58020258	09A_0_14579	58020258	0		08A_1_14405	58047712	0		012_1_13807	58052033	0
58042167	08A_0_14359	58042167	0	58048000	08A_0_14359	58048000	0		012_2_13824	58052033	0
	08A_1_14405	58042167	0		08A_1_14405	58048000	0	58052034	012_0_13785	58052034	0
58042200	08A_0_14359	58042200	0	58048009	08A_0_14359	58048009	0		012_1_13807	58052034	0
	08A_1_14405	58042200	0		08A_1_14405	58048009	0		012_2_13824	58052034	0
58042202	08A_0_14359	58042202	0	58048012	08A_0_14359	58048012	0	58052144	012_1_13807	58052144	0
	08A_1_14405	58042202	0		08A_1_14405	58048012	0		012_2_13824	58052144	0
58042219	07A_0_14343	58042219	0	58050345	08A_0_14359	58050345	0	58052145	012_1_13807	58052145	0
58043053	03A_1_13913	58043053	0	58051670	08A_0_14359	58051670	0		012_2_13824	58052145	0
	03A_2_13945	58043053	0		08A_1_14405	58051670	0	58052146	012_1_13807	58052146	0



## SPARE PARTS INSTANCE INDEX

Code	Parts Table	Pos.	Q.ty	Code	Parts Table	Pos.	Q.ty	Code	Parts Table	Pos.	Q.ty
58052146	012_2_13824	58052146	0	58057712	013_0_13845	58057712	0	59057110	08A_1_14405	59057110	0
58052147	012_1_13807	58052147	0		013_1_13860	58057712	0	59057112	08A_0_14359	59057112	0
	012_2_13824	58052147	0	58057722	012_0_13785	58057722	0		08A_1_14405	59057112	0
58052148	012_1_13807	58052148	0		013_0_13845	58057722	0	59057228	09A_0_14579	59057228	0
	012_2_13824	58052148	0		013_1_13860	58057722	0	59057304	09A_0_14579	59057304	0
58052149	012_1_13807	58052149	0	58057724	012_0_13785	58057724	0	59057319	09A_0_14579	59057319	0
	012_2_13824	58052149	0		013_0_13845	58057724	0	59057325	09A_0_14579	59057325	0
58052150	012_2_13824	58052150	0		013_1_13860	58057724	0	59059551	011_3_13744	59059551	0
58052151	012_2_13824	58052151	0	58057732	013_0_13845	58057732	0	59059561	011_3_13744	59059561	0
58052154	012_2_13824	58052154	0		013_1_13860	58057732	0	59059571	011_3_13744	59059571	0
58052155	012_2_13824	58052155	0	58057767	013_1_13860	58057767	0	59247884	002_0_12722	59247884	0
58052274	011_3_13744	58052274	0	58057768	013_1_13860	58057768	0		002_1_12741	59247884	0
58052325	011_3_13744	58052325	0	58057770	013_1_13860	58057770	0		002_2_12761	59247884	0
58052326	011_3_13744	58052326	0	58057771	013_1_13860	58057771	0		002_3_12779	59247884	0
58052327	011_3_13744	58052327	0	58057772	013_1_13860	58057772	0	59247970	002_0_12722	59247970	0
58056155	08A_1_14405	58056155	0	58147704	08A_1_14405	58147704	0		002_1_12741	59247970	0
58056391	04B_0_14068	58056391	0	58150313	08A_0_14359	58150313	0	59247971	002_0_12722	59247971	0
	04B_1_14105	58056391	0		08A_1_14405	58150313	0		002_1_12741	59247971	0
58056593	08A_1_14405	58056593	0	58156156	08A_1_14405	58156156	0		002_2_12761	59247971	0
58057232	09A_0_14579	58057232	0	59015425	03A_1_13913	59015425	0		002_3_12779	59247971	0
58057266	07A_0_14343	58057266	0		03A_2_13945	59015425	0	59256252	002_2_12761	59256252	0
58057273	09A_0_14579	58057273	0	59043063	005_2_13039	59043063	0	59256257	002_3_12779	59256257	0
58057286	08A_0_14359	58057286	0	59047709	08A_0_14359	59047709	0	59256265	002_3_12779	59256265	0
	08A_1_14405	58057286	0		08A_1_14405	59047709	0	59259555	011_3_13744	59259555	0
58057401	08A_1_14405	58057401	0	59047743	011_3_13744	59047743	0	59259563	011_3_13744	59259563	0
58057676	013_0_13845	58057676	0	59047745	011_3_13744	59047745	0	59259567	011_3_13744	59259567	0
	013_1_13860	58057676	0	59052246	09A_0_14579	59052246	0	59259578	011_3_13744	59259578	0
58057678	012_0_13785	58057678	0	59052247	07A_0_14343	59052247	0	59259580	011_3_13744	59259580	0
	013_0_13845	58057678	0	59056365	04B_0_14068	59056365	0	92243685	011_3_13744	92243685	0
	013_1_13860	58057678	0		04B_1_14105	59056365	0	92457794	011_3_13744	92457794	0
58057698	012_0_13785	58057698	0	59056373	04B_0_14068	59056373	0				
	013_0_13845	58057698	0		04B_1_14105	59056373	0				
	013_1_13860	58057698	0	59056900	09A_0_14579	59056900	0				
58057712	012_0_13785	58057712	0	59057110	08A_0_14359	59057110	0				